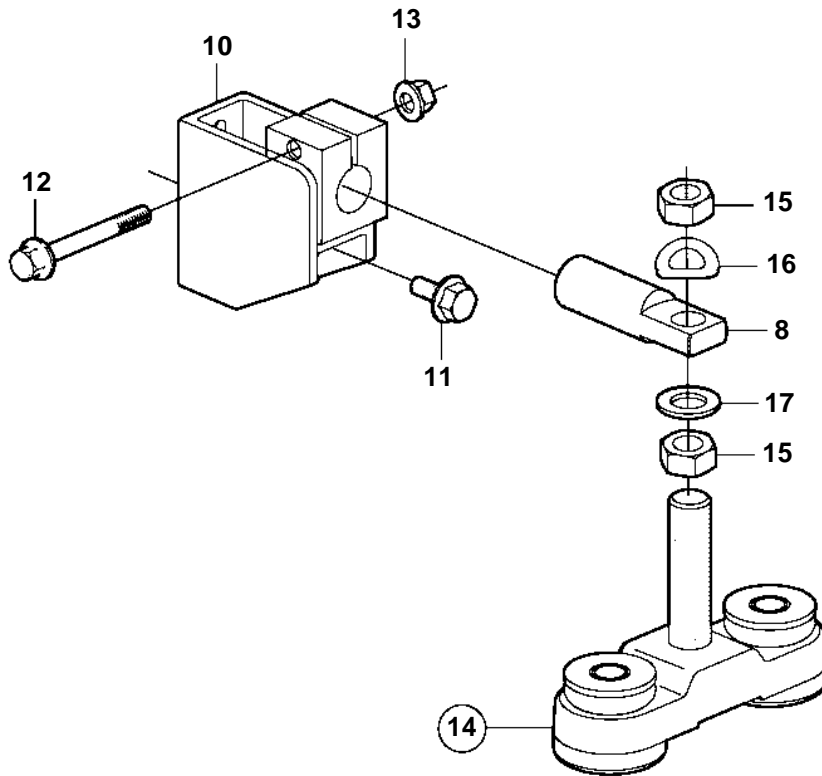
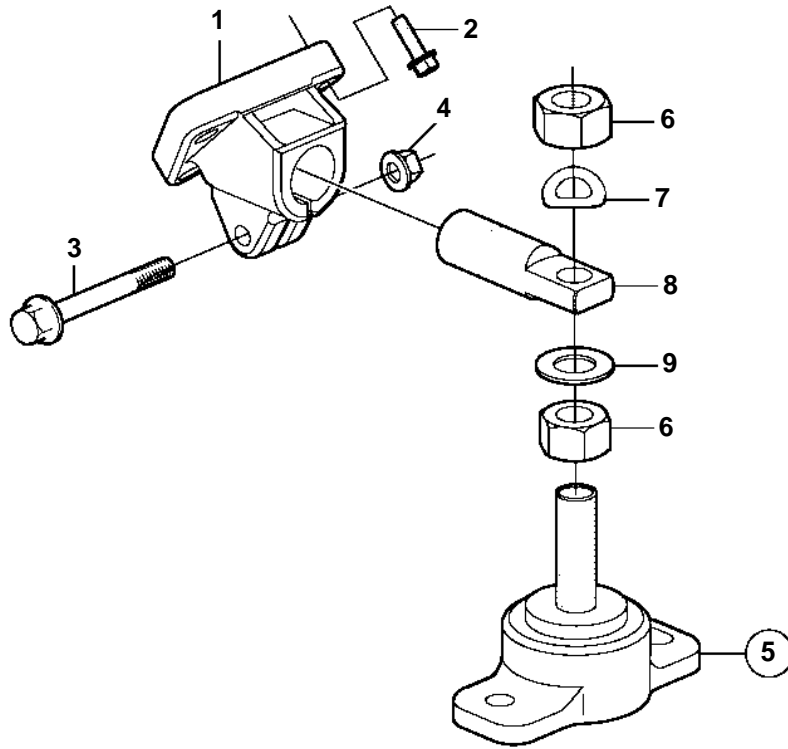


8.1GiI-E, 8.1GXil-D



8.1GiI-E, 8.1GXii-D

REF	PART NO.	QTY	DESCRIPTION
1	3863314	2	Bracket
2	3863139	6	Flange screw
3	3860499	2	Screw
4	3857181	2	Flange lock nut
5	857251	2	Rubber cushion
6	955860	4	• Nut
7	941914	2	Spring washer
8	3863365	4	Pin
9	3857588	2	Washer
10	3858534	2	Bracket
11	3853558	4	Flange screw
12	3855595	2	Screw
13	946175	2	Nut
14	3858470	2	Rubber cushion
15	955860	4	• Nut
16	941914	2	• Spring washer
17	955902	2	• Washer