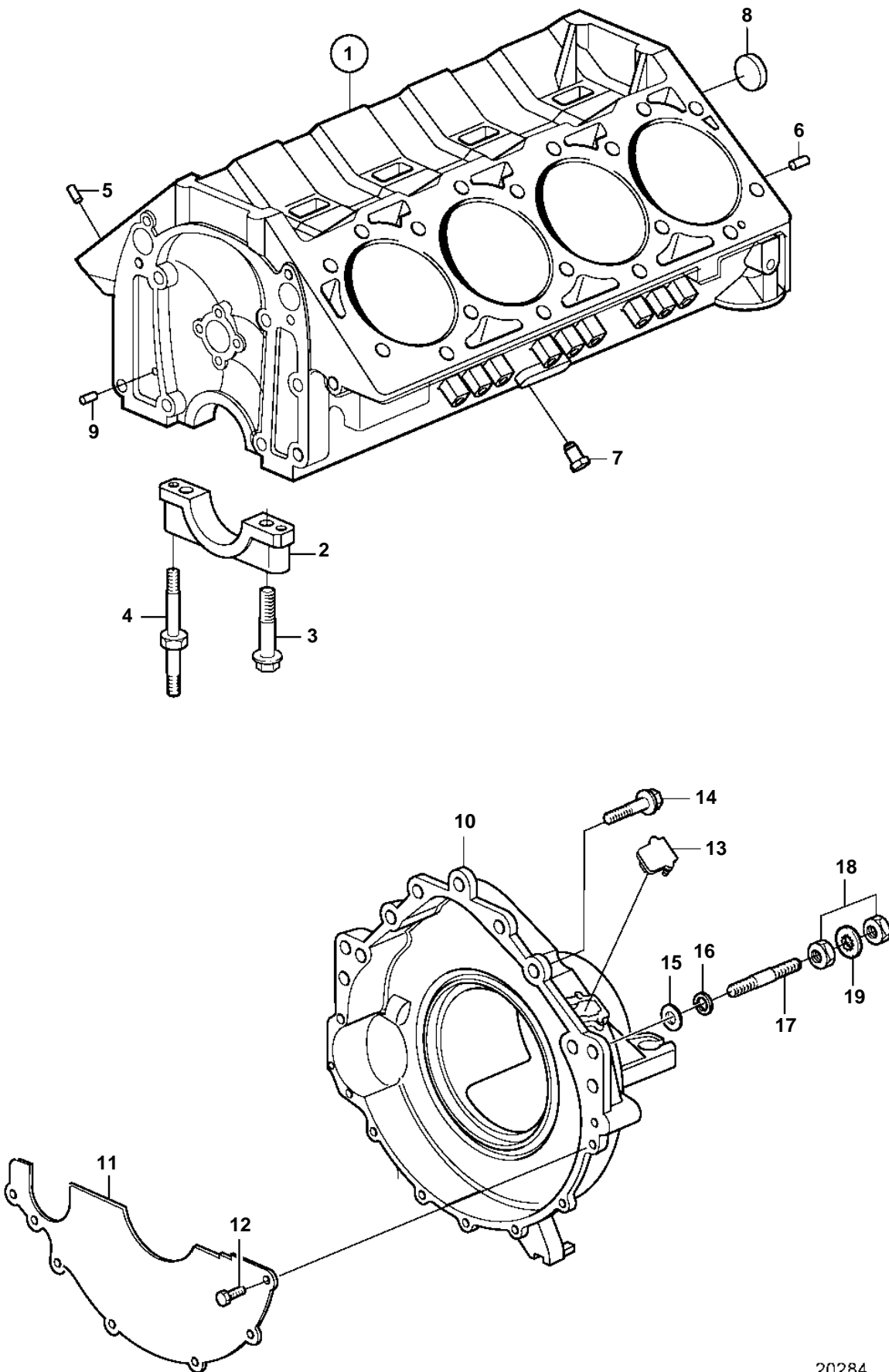


8.10Si-A, 8.10Si-AF



20284

8.1OSi-A, 8.1OSi-AF

REF	PART NO.	QTY	DESCRIPTION	NOTES
1		1	Cylinder block	
2		5	· Bearing cap	
3	3861256	10	Screw	
4	3861331	10	Stud	
5	3861306	4	Locating pin	
6	3856001	2	Pin	
7	3861669	2	Plug	
8	3853348	1	Core plug	
9	3855972	2	Pin	
10	3852831	1	Flywheel housing	
11	3854604	1	Cover	
12	3852421	4	Screw	
13	3854764	1	Cover	
14	982702	1	Flange screw	L=25mm
	946752	1	Flange screw	L=35mm
	965222	2	Screw	L=65mm
15	980933	2	Washer	
16	982475	2	Spring washer	
17	982676	2	Stud	
18	971074	6	Nut	
19	982679	4	Lock washer	