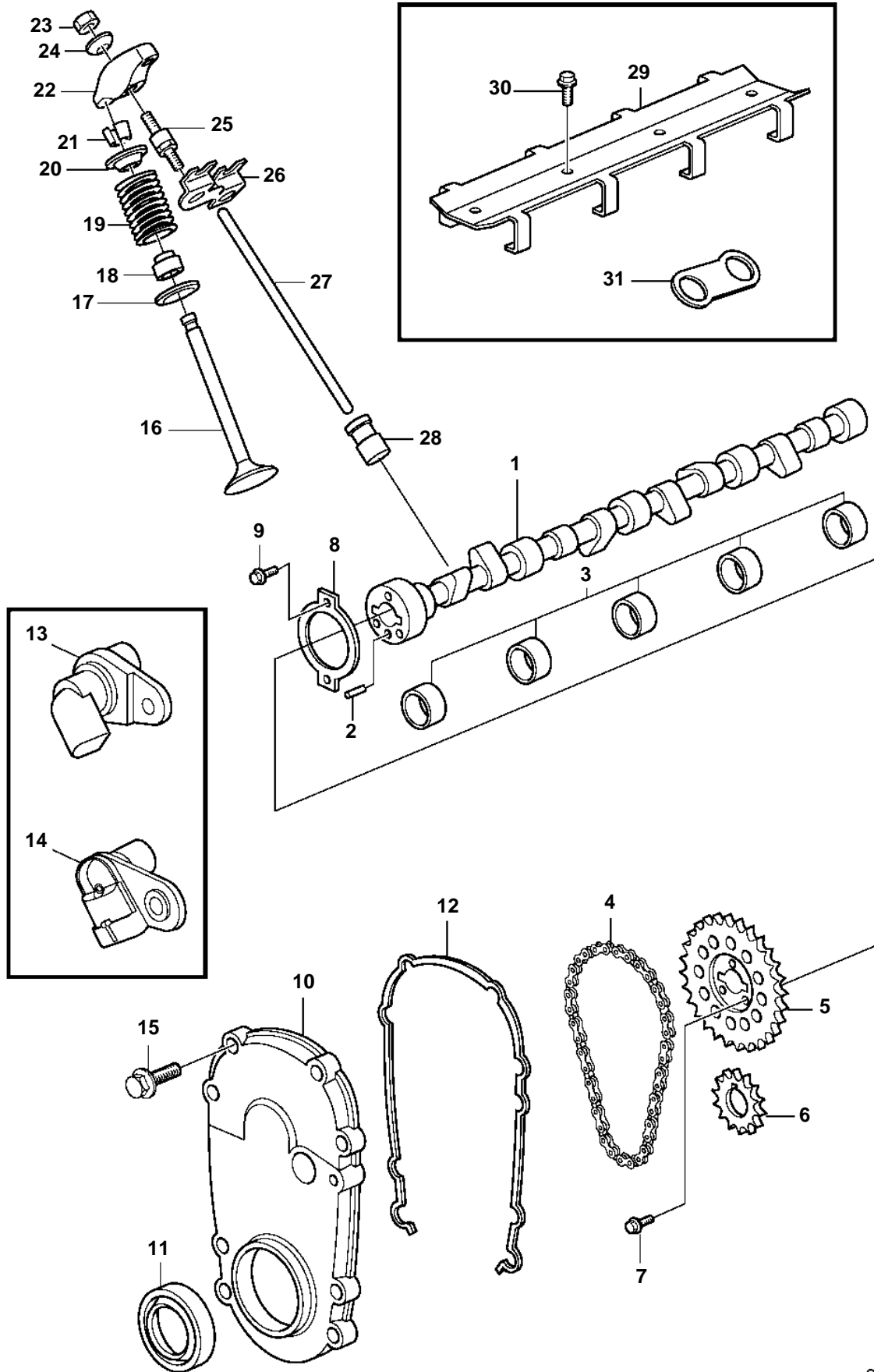


8.1GXi-DF



8.1GXi-DF

REF	PART NO.	QTY	DESCRIPTION	NOTES
1	3861266	1	Camshaft	
2	3855972	1	• Pin	
3	3856881	1	Camshaft bearing kit	
4	3861332	1	Chain	
5		1	Sprocket	To SN 4012113020
	3808515	1	Sprocket	From SN 4012113021
6	3861329	1	Sprocket	
7	3861248	3	Screw	
8	3855998	1	Retainer	
9	3861244	2	Screw	
10	3861269	1	Timing gear cover	To SN 4012113020
	3808514	1	Timing gear cover	From SN 4012113021
11	3861319	1	• Seal	
12	3861281	1	• Gasket	
13	3859082	1	Sensor, camshaft position	To SN 4012113020
14	3808513	1	Sensor, camshaft position	From SN 4012113021
15	3861247	6	Screw	
16	3861336	8	Exhaust valve	STD
	3861337	X	Exhaust valve	O.S=0.015"
	3861338	X	Exhaust valve	O.S=0.030"
	3861339	8	Inlet valve	STD
	3861237	X	Inlet valve	O.S=0.015"
	3861257	X	Inlet valve	O.S=0.030"
17	3855988	16	Rotator	
18	3861317	16	Valve stem seal	
19	3861335	16	Valve spring	
20	3855977	16	Cap	
21	3853351	32	Valve collet	
22	3861316	16	Rocker arm	
23	3853649	16	Nut	
24	3861232	16	Ball	
25	3861330	16	Stud	
26	3861294	8	Guide	
27	3861314	8	Push rod	INTAKE
	3861315	8	Push rod	EXHAUST
28	3855987	16	Tappet	
29	3855999	1	Retainer	
30	3861248	7	Screw	
31	3856000	8	Guide	