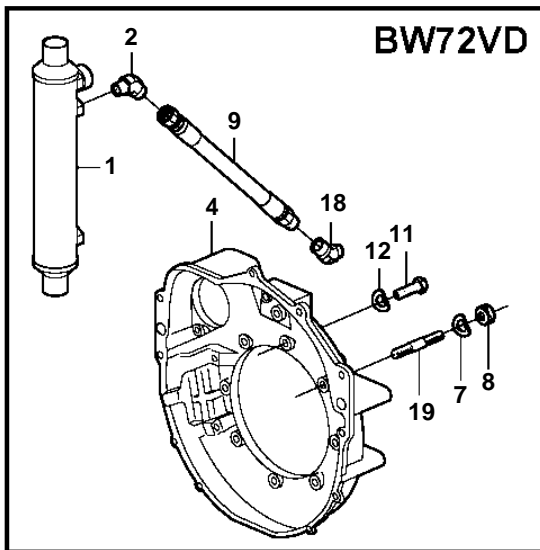
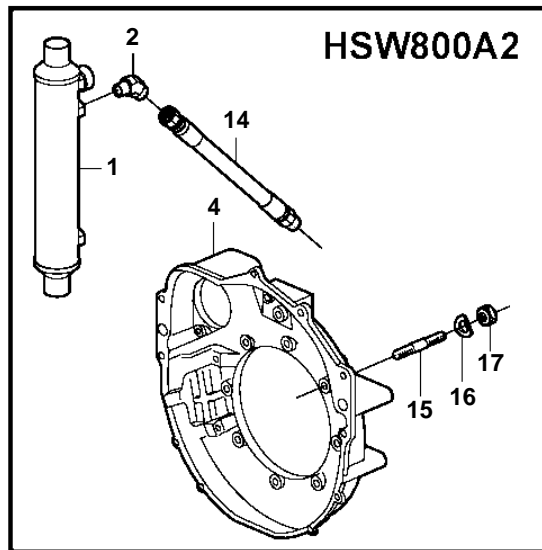
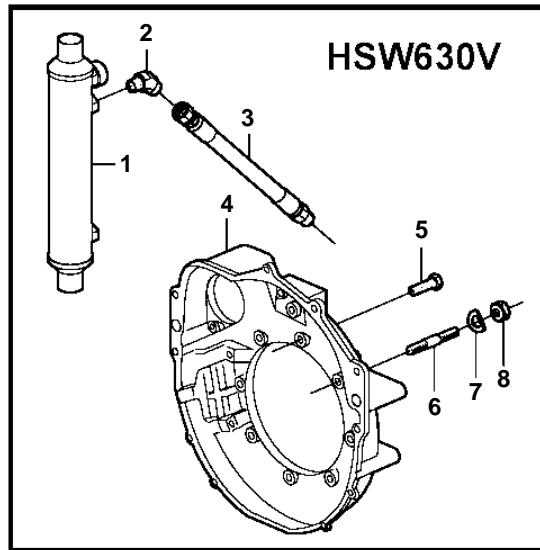
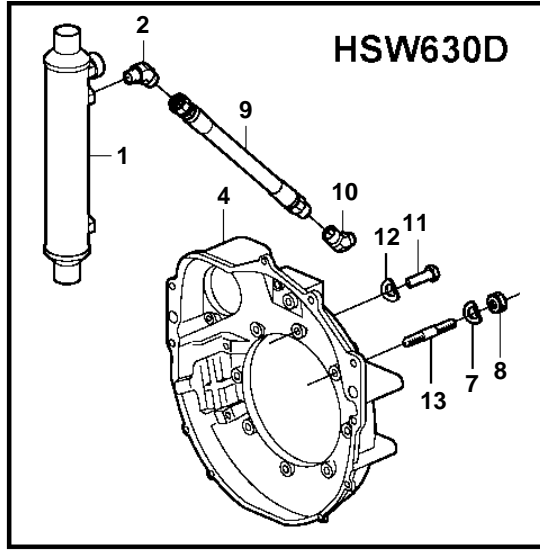
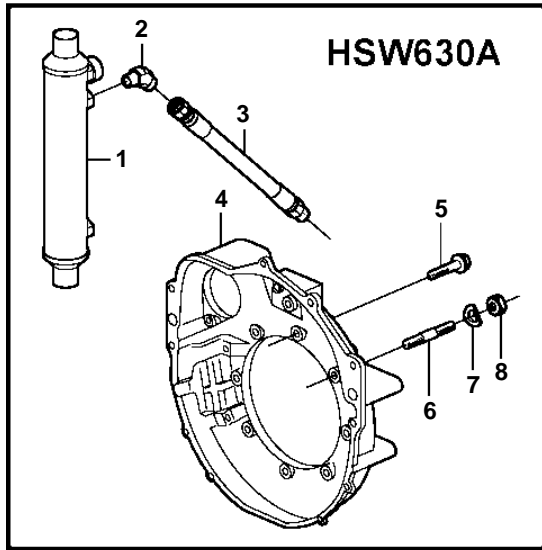


8.1GiI-A, 8.1GiI-B, 8.1GiI-C, 8.1GiI-D, 8.1GSiI-A, 8.1GXiI-A, 8.1GXiI-B, 8.1GXiI-C



22906

8.1GiI-A, 8.1GiI-B, 8.1GiI-C, 8.1GiI-D, 8.1GSiI-A, 8.1GXiI-A, 8.1GXiI-B, 8.1GXiI-C

REF	PART NO.	QTY	DESCRIPTION	NOTES
1	3861479	1	Oil cooler	
2	3858549	2	Fitting	
3	3861441	1	Oil hose	L=559mm
	3861442	1	Oil hose	L=762mm
4	841056	1	Flywheel housing	
5	3853558	2	Flange screw	
6	953517	4	Stud	
7	941909	4	Spring washer	
8	950355	4	Nut	
9	3861441	1	Oil hose	L=559mm
		1	Oil hose	L=838mm
10	191114	2	Fitting	
11	955556	2	Screw	
12	941909	2	Spring washer	
13	953540	4	Stud	
14	3861442	1	Oil hose	L=762mm
		1	Oil hose	L=838mm
15	953519	6	Stud	
16	941909	6	Spring washer	
17	950355	6	Nut	
18	191114	1	Fitting	
19	953531	4	Stud	