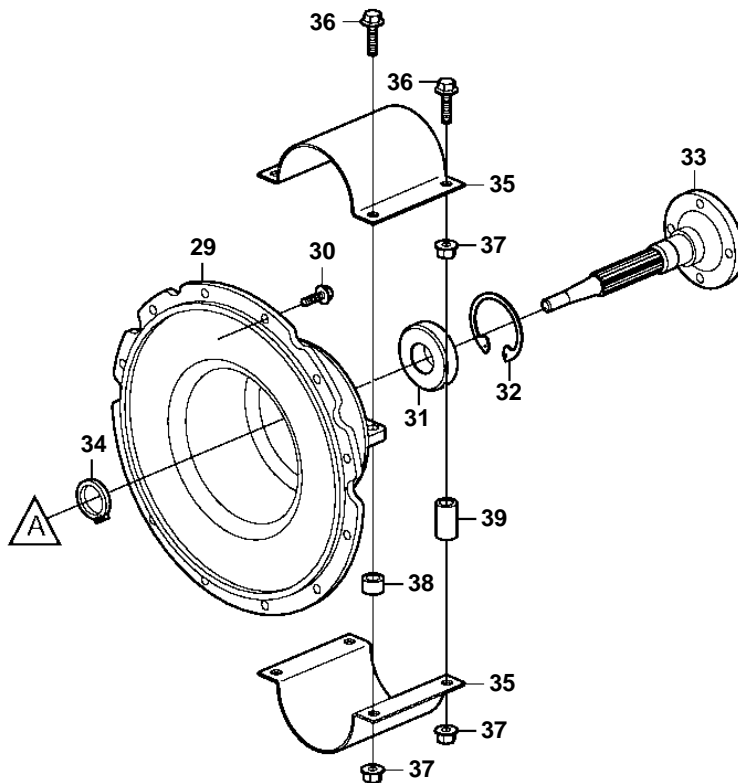
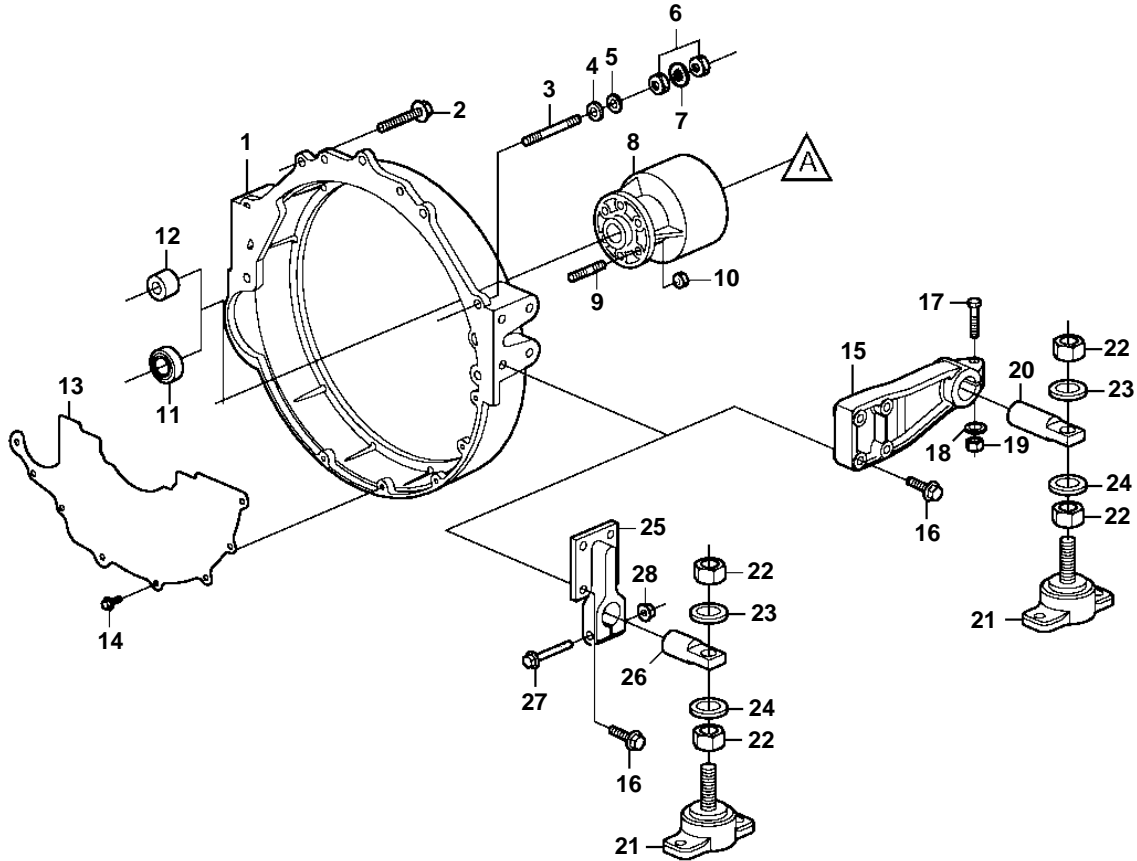


8.1Gi-A, 8.1Gi-B, 8.1Gi-BF, 8.1Gi-C, 8.1Gi-CD, 8.1Gi-D, 8.1Gi-DD, 8.1GSi-A, 8.1GXi-A, 8.1GXi-AF, 8.1GXi-B, 8.1GXi-BF, 8.1GXi-C, 8.1GXi-CF, DPX375-A, DPX375-B, DPX375-BF, DPX375-CF, DPX420-A, DPX420-B, DPX420-BF, DPX420-CF, 8.1Giil-A, 8.1Giil-B, 8.1Giil-C, 8.1Giil-D, 8.1GSiil-A, 8.1GXiil-A, 8.1GXiil-B, 8.1GXiil-C



19455

8.1Gi-A, 8.1Gi-B, 8.1Gi-BF, 8.1Gi-C, 8.1Gi-CD, 8.1Gi-D, 8.1Gi-DD, 8.1GSi-A, 8.1GXi-A, 8.1GXi-AF, 8.1GXi-B, 8.1GXi-BF, 8.1GXi-C, 8.1GXi-CF, DPX375-A, DPX375-B, DPX375-BF, DPX375-CF, DPX420-A, DPX420-B, DPX420-BF, DPX420-CF, 8.1Gil-A, 8.1Gil-B, 8.1Gil-C, 8.1Gil-D, 8.1GSil-A, 8.1GXil-A, 8.1GXil-B, 8.1GXil-C

REF	PART NO.	QTY	DESCRIPTION	NOTES
1	3851722	1	Flywheel housing	
2	947790	4	Flange screw	
3	3862493	2	Stud	
4	942551	2	Washer	
5	941909	2	Spring washer	
6	971071	4	Nut	
7	940147	2	Washer	
8	3853962	1	Rubber coupling	
9	3861383	6	Stud	
10	3853273	6	Lock nut	
11	3858846	1	Bearing	All Gi, DPX375, later GXi, DPX420
12	3860697	1	Bushing	All GSi, early GXi, DPX420
13	3854604	1	Cover	
14	3852421	6	Screw	
15	3851758	2	Bracket	EARLIER PROD
16	965187	8	Screw	
17	955551	2	Screw	
18	941909	2	Spring washer	
19	950355	2	Nut	
20	841247	2	Pin	EARLIER PROD
21	857251	2	Rubber cushion	
22	955860	4	· Nut	
23	955902	2	Washer	
24	941914	2	Spring washer	
25		2	Bracket	LATER PROD
26		2	Pin	LATER PROD
27	965222	2	Screw	
28	971098	2	Flange lock nut	
29	3851727	1	Bearing housing	
30	946752	11	Flange screw	
31	181877	1	Ball bearing	
32	914540	1	Lock ring	
33	3851724	1	Flange	
34	914465	1	Lock ring	
35	3851729	2	Cover	
36	965192	X	Flange screw	L=40mm
	948039	X	Flange screw	L=65mm
37	971099	X	Flange lock nut	
	977938	X	Flange lock nut	Nylon insert
38	983740	X	Spacer	L=10mm
39	983741	X	Spacer	L=33mm