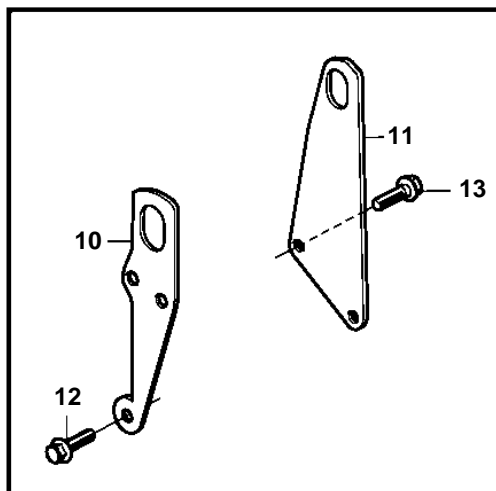
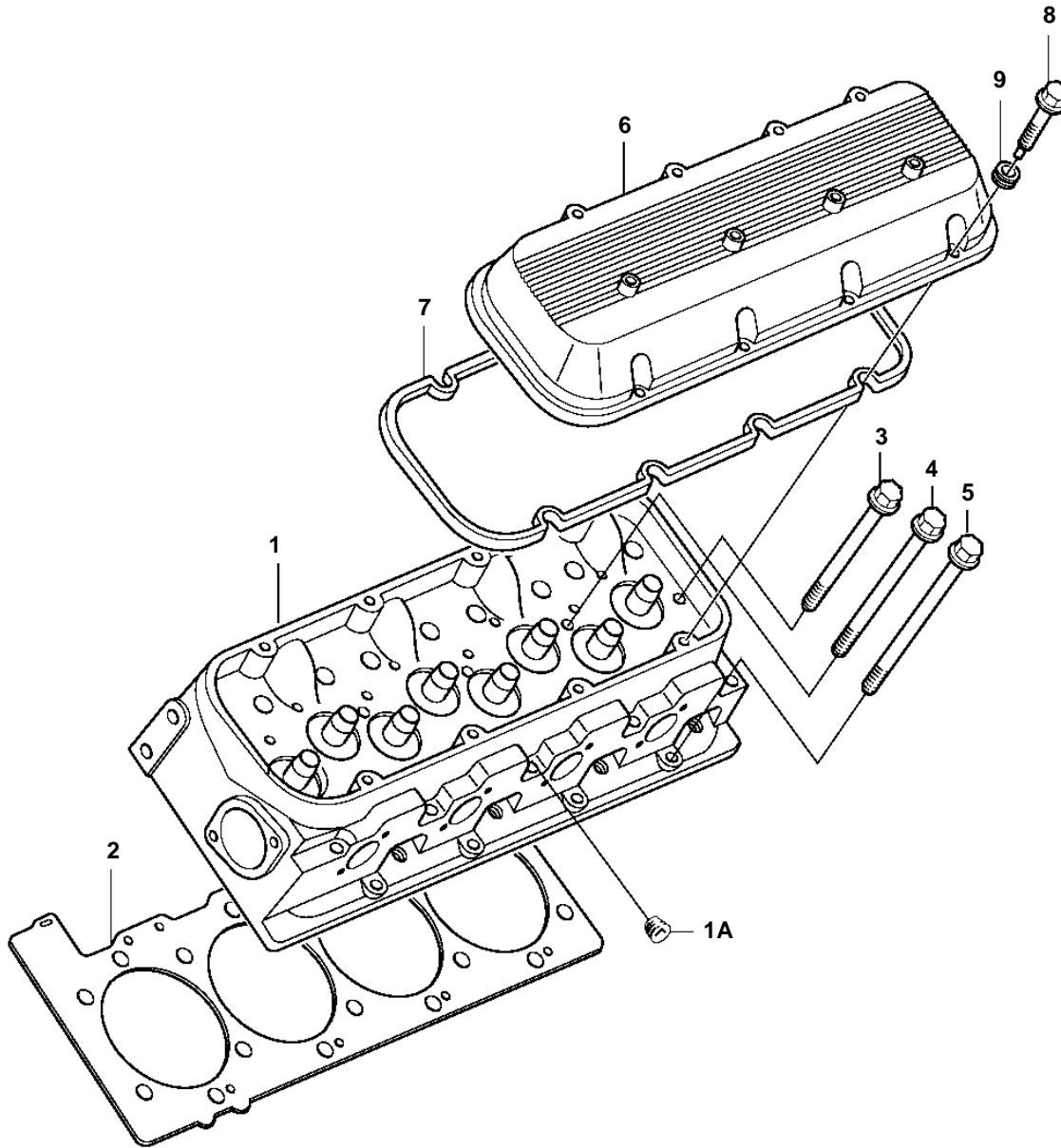


8.1Gi-C, 8.1Gi-CF, 8.1Gi-D, 8.1Gi-DF, 8.1GXi-B, 8.1GXi-BF, 8.1GXi-C, 8.1GXi-CF, DPX375-CF, DPX420-CF, 8.1GiI-C, 8.1GiI-D, 8.1GXii-B, 8.1GXi-C



19372

8.1Gi-C, 8.1Gi-CF, 8.1Gi-D, 8.1Gi-DF, 8.1GXi-B, 8.1GXi-BF, 8.1GXi-C, 8.1GXi-CF, DPX375-CF, DPX420-CF, 8.1GiI-C, 8.1GiI-D, 8.1GXii-B, 8.1GXi-C

REF	PART NO.	QTY	DESCRIPTION	NOTES
1	3861272	1	Cylinder head	STARBOARD
	3861273	1	Cylinder head	PORT
1A		2	· Plug	
2	3861284	1	Gasket	STARBOARD
	3861283	1	Gasket	PORT
3	3861253	8	Screw	L=52mm
4	3861252	4	Screw	L=86mm
5	3861251	24	Screw	L=103mm
6	3859080	2	Valve cover	
7	3861287	2	· Gasket	
8	3861260	14	Screw	
9	3861282	14	Gasket	
10	3860920	1	Bracket	PORT
11	3860921	1	Bracket	STARBOARD
12	975101	1	Screw	
13	974324	2	Flange screw	