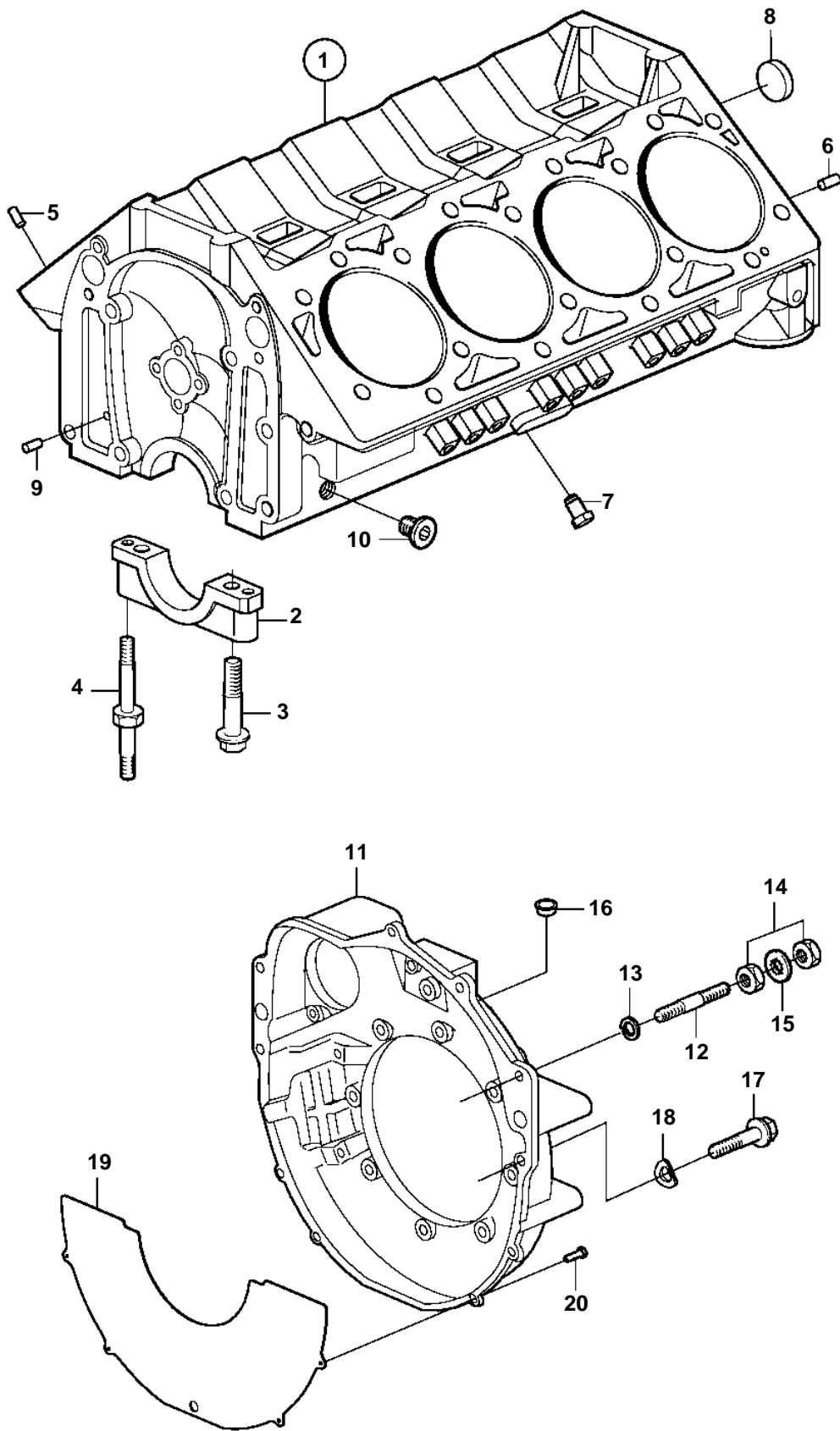


8.1GiI-A, 8.1GSiI-A



19375

8.1GiI-A, 8.1GSiI-A

REF	PART NO.	QTY	DESCRIPTION	NOTES
1		1	Cylinder block	
2		5	Bearing cap	
3	3861256	10	Screw	
4	3861331	10	Stud	
5	3861306	4	Locating pin	
6	3856001	2	Pin	
7	3861669	2	Plug	
8	3853348	1	Core plug	
9	3855972	2	Pin	
10	3861289	1	Core plug	
11	841056	1	Flywheel housing	
12	982676	2	Stud	
13	982679	2	Lock washer	
14	971074	4	Nut	
15	940147	4	Washer	
16	943589	1	Plug	
17	946752	1	Flange screw	L=35mm
	965223	2	Flange screw	L=75mm
18	941908	3	Spring washer	
19	857259	1	Cover plate	
20	969476	7	Screw	