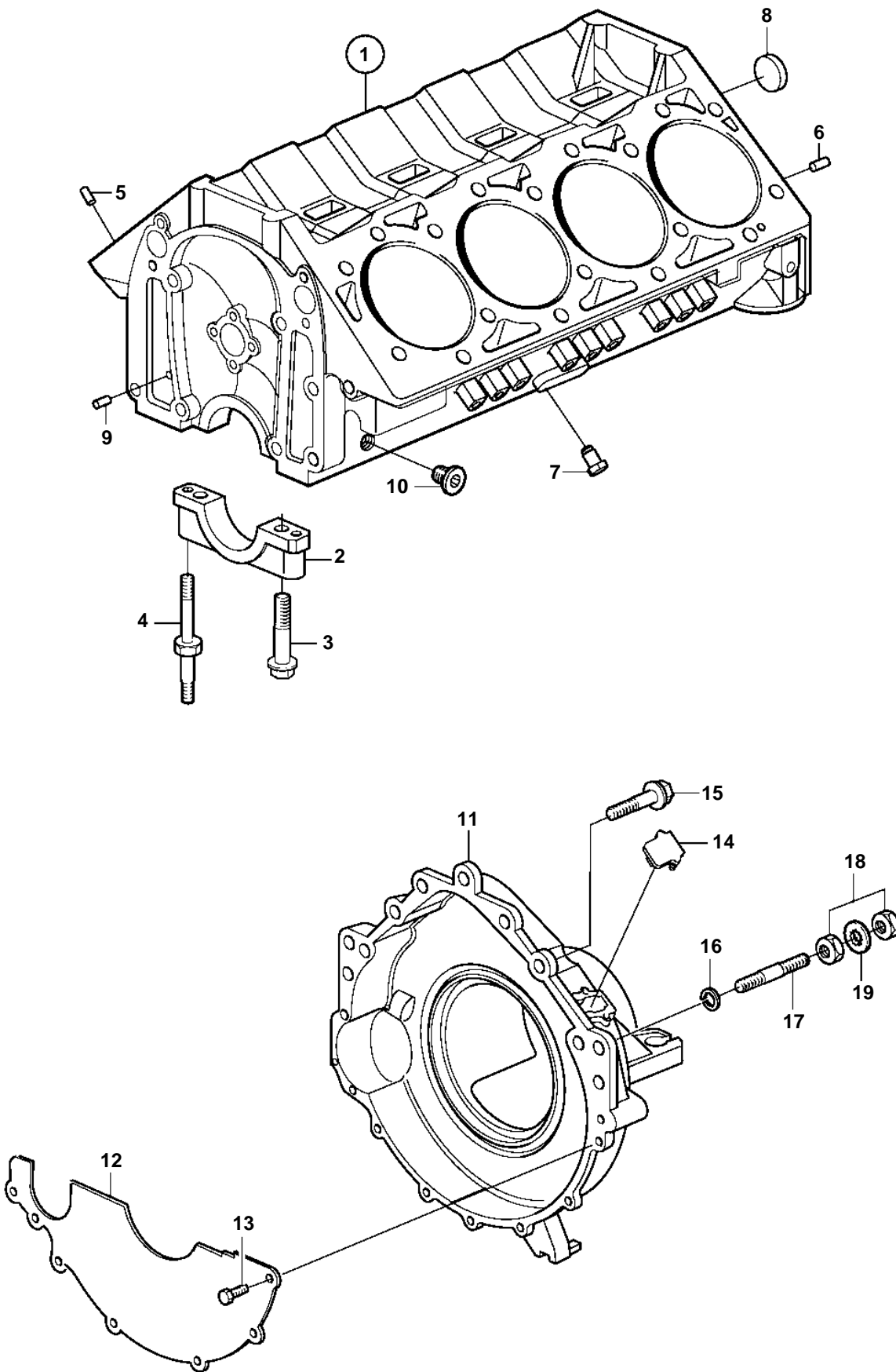


8.1Gi-C, 8.1Gi-CF, 8.1Gi-D, 8.1Gi-DF, 8.1GXi-B, 8.1GXi-BF, 8.1GXi-C, 8.1GXi-CF



8.1Gi-C, 8.1Gi-CF, 8.1Gi-D, 8.1Gi-DF, 8.1GXi-B, 8.1GXi-BF, 8.1GXi-C, 8.1GXi-CF

REF	PART NO.	QTY	DESCRIPTION	NOTES
1		1	Cylinder block	
2		5	· Bearing cap	
3	3861256	10	Screw	
4	3861331	10	Stud	
5	3861306	4	Locating pin	
6	3856001	2	Pin	
7	3861669	2	Plug	
8	3853348	1	Core plug	
9	3855972	2	Pin	
10	3861289	1	Core plug	
11	3852831	1	Flywheel housing	
12	3854604	1	Cover	
13	3852421	7	Screw	
14	3854764	1	Cover	
15	946329	1	Flange screw	L=25mm
	946752	1	Flange screw	L=35mm
	965222	2	Screw	L=65mm
16	3852046	2	Lock washer	
17	3857937	2	Stud	
18	971071	4	Nut	
19	940147	4	Washer	