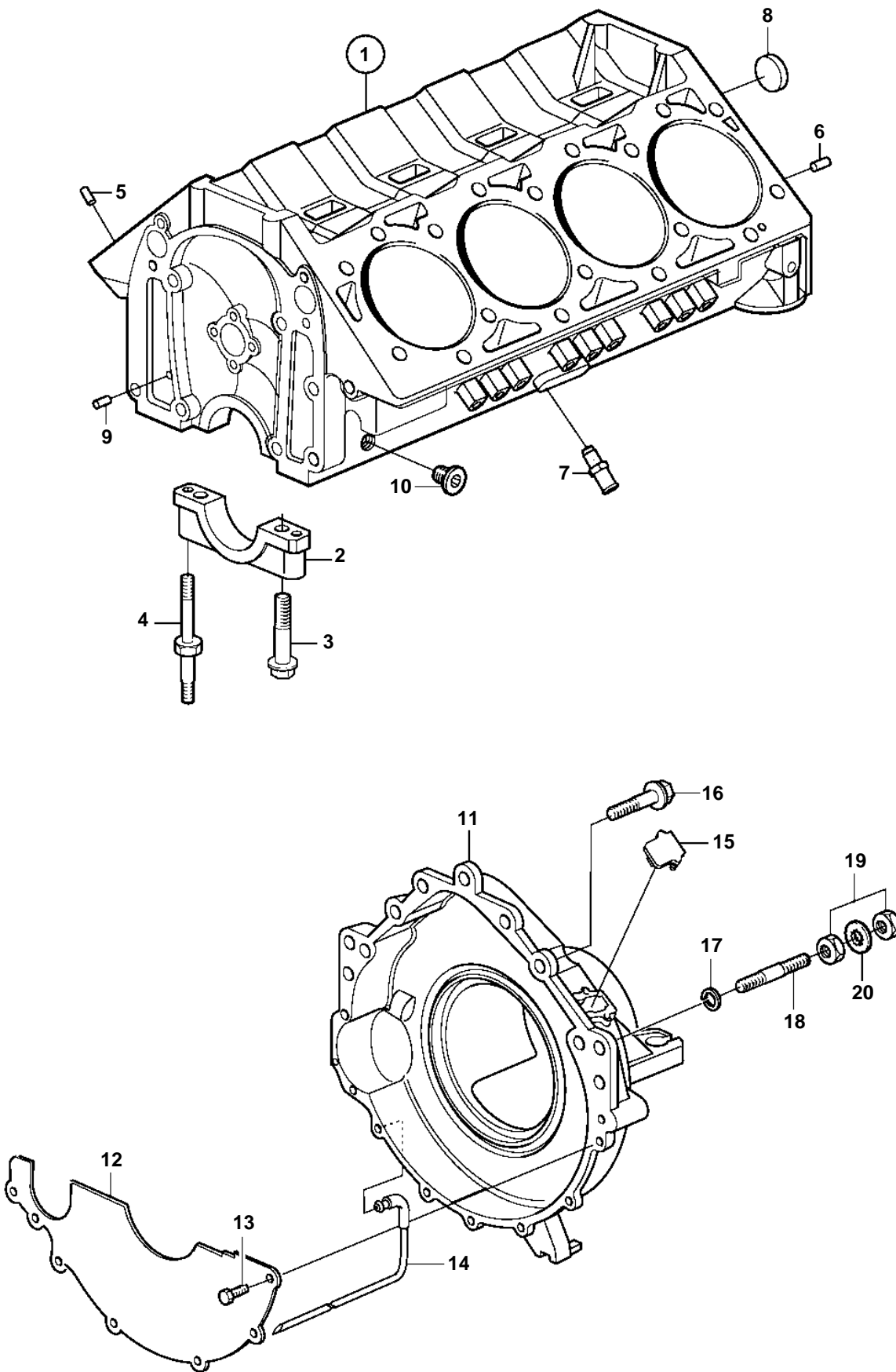


8.1Gi-B, 8.1GXi-A,



8.1Gi-B, 8.1GXi-A,

REF	PART NO.	QTY	DESCRIPTION	SEE SEC.	NOTES
1		1	Cylinder block	5978	
2		5	· Bearing cap		
3	3861256	10	Screw		
4	3861331	10	Stud		
5	3861306	4	Locating pin		
6	3856001	2	Pin		
7	3861918	2	Nipple		
8	3853348	1	Core plug		
9	3855972	2	Pin		
10	3861289	1	Core plug		
11	3852831	1	Flywheel housing		
12	3854604	1	Cover		
13	3852421	7	Screw		
14	3852832	1	Hose		
15	3854764	1	Cover		
16	946329	1	Flange screw		L=25mm
	946752	1	Flange screw		L=35mm
	965222	2	Screw		L=65mm
17	3852046	2	Lock washer		
18	3857937	2	Stud		
19	971071	4	Nut		
20	940147	4	Washer		