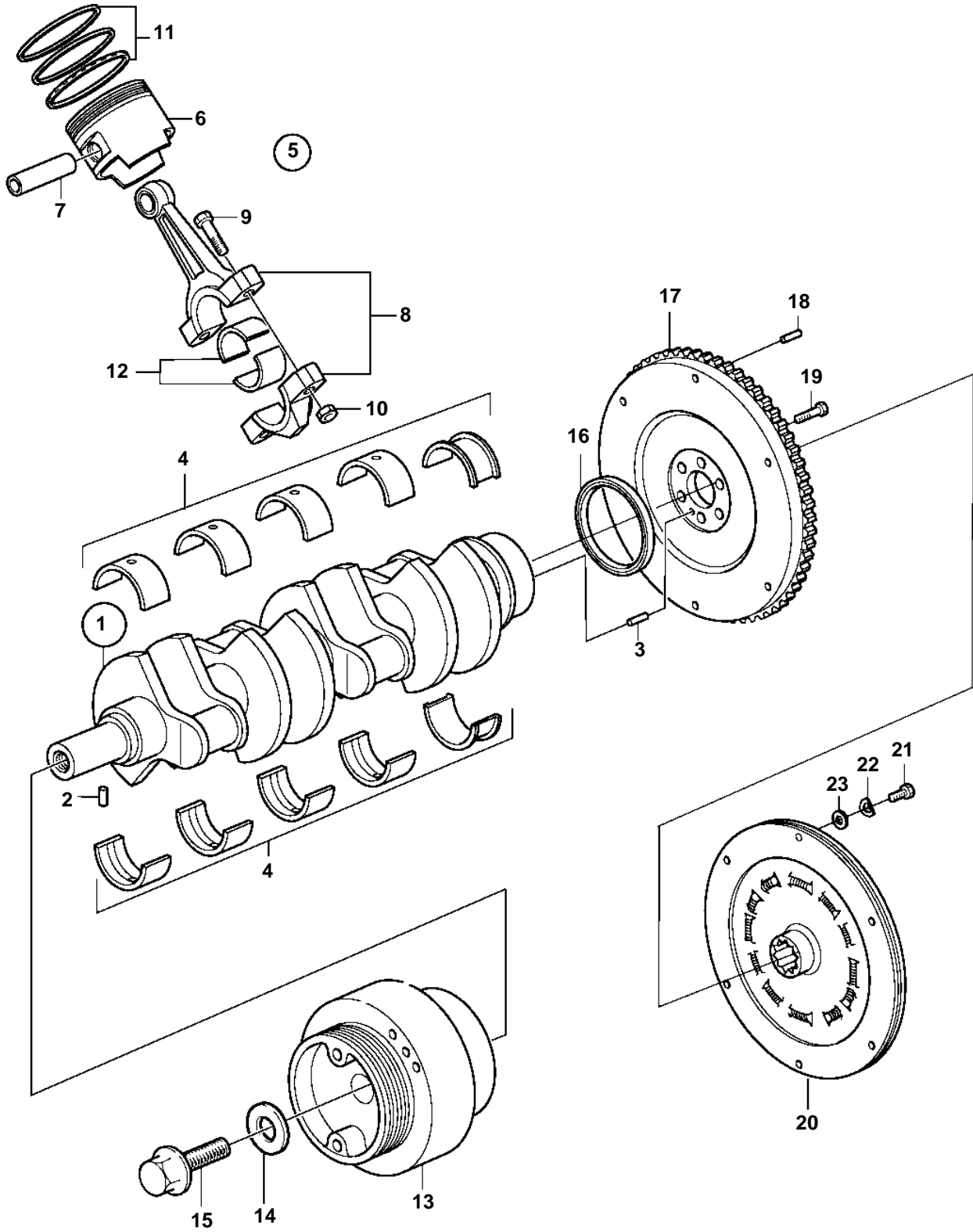


8.1GiI-A, 8.1GiI-B, 8.1GiI-C, 8.1GiI-D



8.1GiI-A, 8.1GiI-B, 8.1GiI-C, 8.1GiI-D

REF	PART NO.	QTY	DESCRIPTION	NOTES
1	3861271	1	Crankshaft	
2	3861307	1	· Locating pin	
3	3861303	1	· Pin	
4	3861236	1	Main bearing kit	
5	3861309	4	Piston	STD, STARBOARD
	3861310	4	Piston	STD, PORT
	3861394	X	Piston	O.S=0.030", S.B
	3861395	X	Piston	O.S=0.030", P
6		8	· Piston	
7		8	· Pin	
8		8	· Connecting rod	
9		16	· Screw	
10	3859077	16	· Nut	
11	3861311	8	· Piston ring kit	STD
	3861312	X	· Piston ring kit	O.S=0.030"
12	3861233	8	Big end bearing kit	
13	3861274	1	Absorber	
14	3861340	1	Washer	
15	3861264	1	Screw	
16	3861318	1	Seal	
17	3861362	1	Flywheel	INBOARD
18	3861303	2	· Pin	
19	3861263	6	Screw	
20	3860981	1	Vibration damper	
21	970947	6	Screw	
22	941908	6	Spring washer	
23	976945	6	Washer	