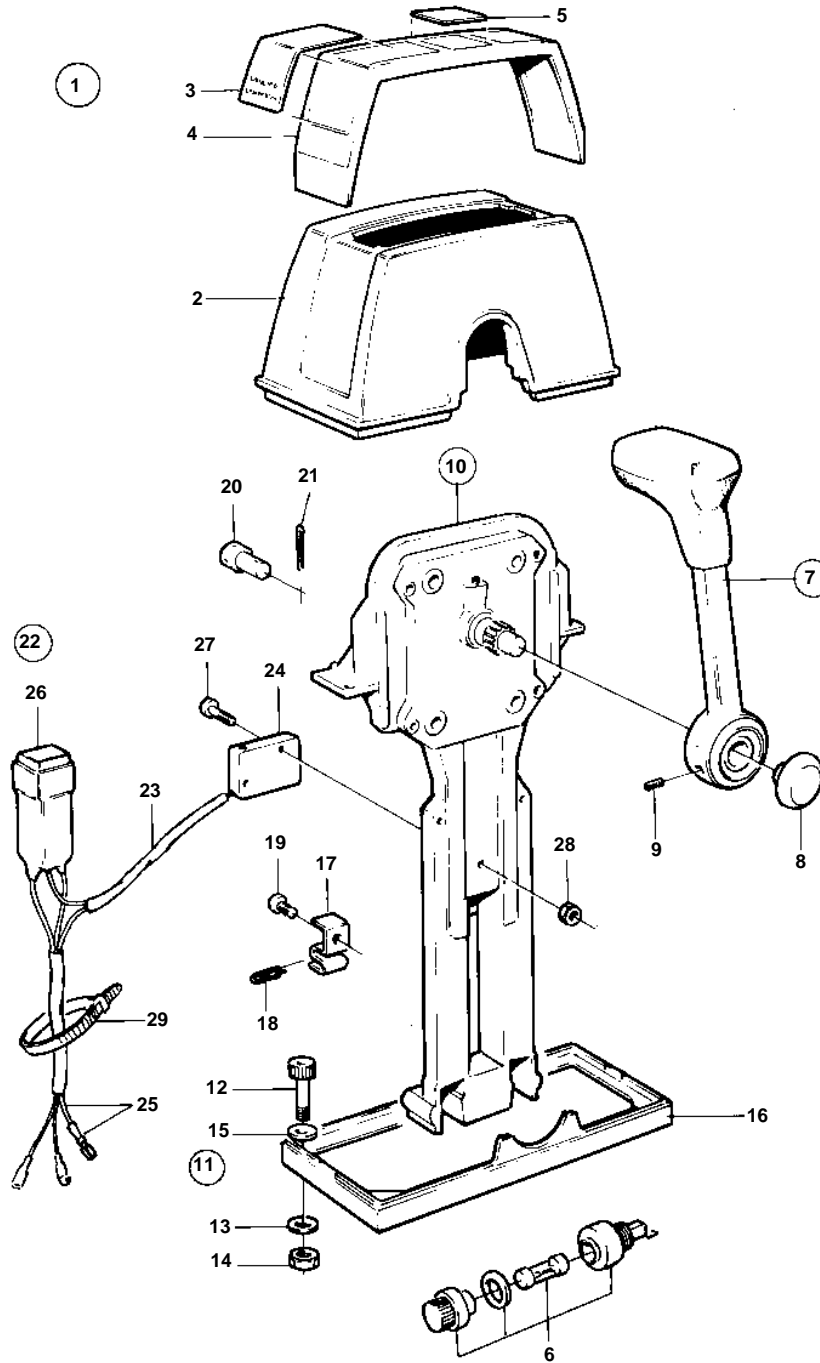


COMMON



8885

COMMON

REF	PART NO.	QTY	DESCRIPTION	SEE SEC.	NOTES
1	1140043	1	Mounting kit		SINGLE PT
2	1140046	1	• Cover	IK	
6		1	• FUSE		
		1	• O-RING		
8	841073	4	• Fuse holder		
7	1140041	1	• Lever	IK	
					090-0275
8	853004	1	• Push button	IK	
9	963678	1	• Screw	IK	
10	851600	1	• Control	IK	
					090-0280
11	852384	1	• Screw kit		
12	947671	4	• • Allen head screw	IK	
13	960138	4	• • Washer	IK	
14	955780	4	• • Nut	IK	
15	940090	4	• • Washer		
16	839474	1	• Plate	IK	
17	853423	1	• Retainer	IK	
18	852924	1	• Clip	IK	
19	839664	1	Screw		
20	839638	1	Cube	IK	
21	17253	1	Cotter pin	IK	
22	855352	1	Neutral posit contac		(839641)
23	839619	1	• Cable kit		
24	850200	1	• • Switch		
25		X	• • CABLES AND TERMINALS		
26	876037	1	• Relay kit		(1501832)
27	946177	2	• Screw		
28	947536	2	• Nut		
29	948210	X	• Strip clamp		