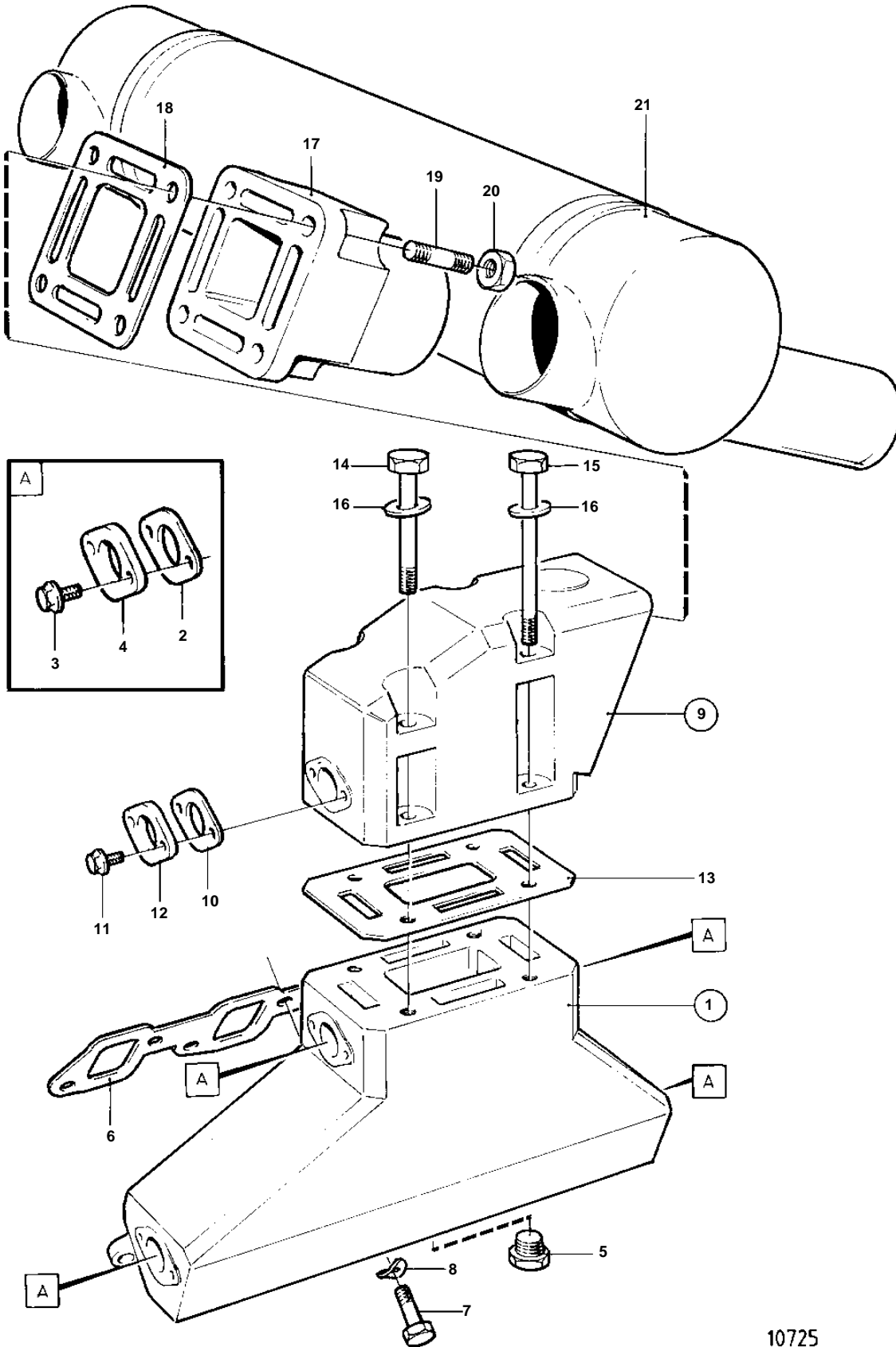


740A,740A/MS5



10725

EXHAUST MANIFOLD FOR COOLING SYSTEM WITHOUT HEAT EXCHANGER

02B

740A,740A/MS5

REF	PART NO.	QTY	DESCRIPTION	NOTES
1	856904	2	Exhaust pipe	
2	859002	8	· Gasket	IK
3	965175	16	· Screw	
4	844093	8	· Flange	
5	192134	2	· Plug	
6	855972	2	Gasket	IK
7	955536	16	Screw	
8	942336	16	Spring washer	
9	856910	2	Exhaust pipe	(856639)
10	859002	2	· Gasket	IK
11	965175	4	· Screw	
12	844093	2	· Flange	
13	855998	2	Gasket	IK
14	970888	4	Screw	(970887)
15	970891	4	Screw	
16	840210	8	Washer	
17	856911	2	Exhaust outlet	(856435)
18	856429	2	Gasket	IK
19	953067	8	Stud	
20	971095	8	Nut	
21		1	MUFFLER	SEE GROUP 9