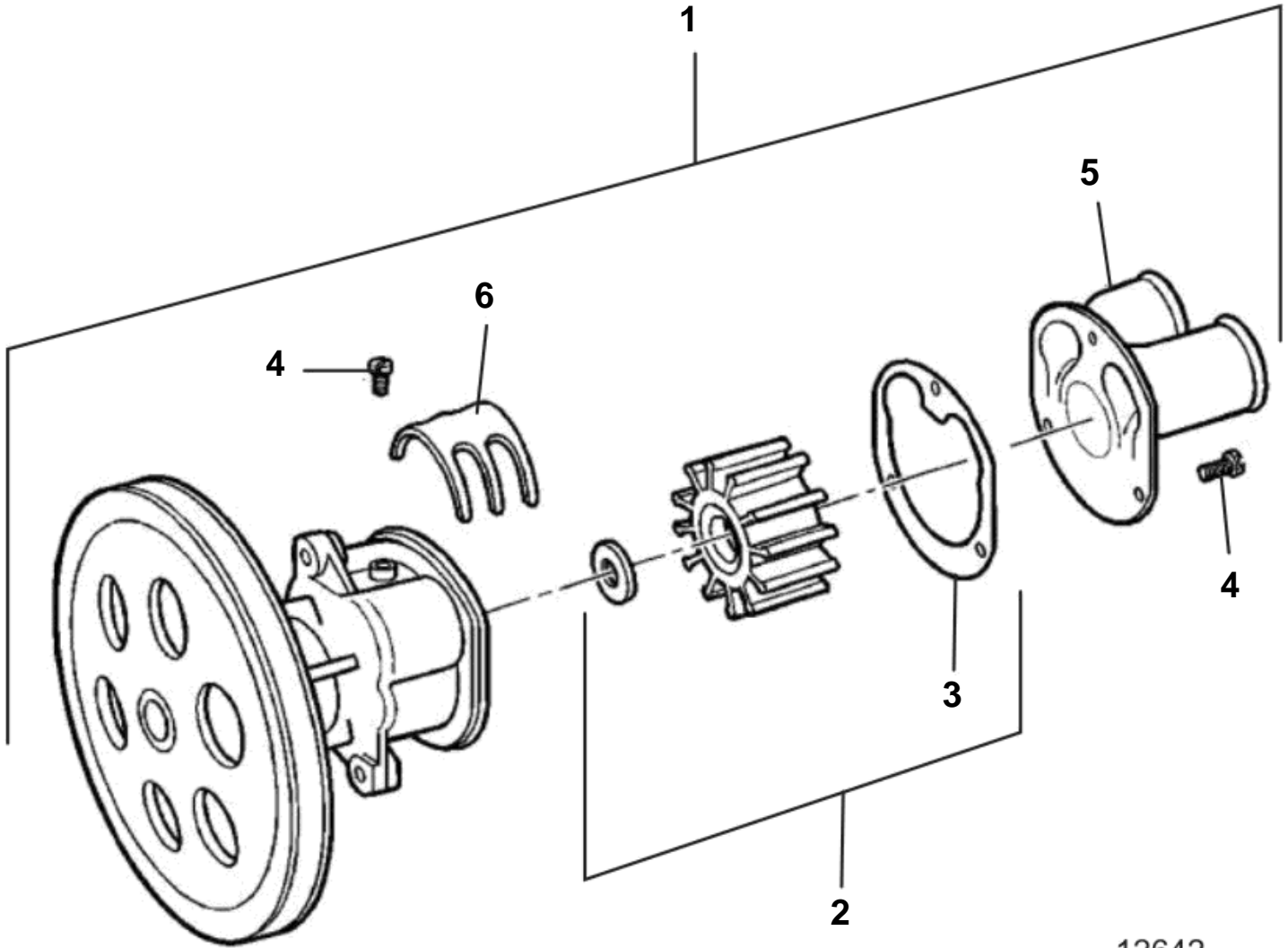


7.4GLPMDA, 7.4GLPMDM, 8.2GLPMDA, 8.2GLPMDM, 7.4GLIMDA, 7.4GLIMDM, 8.2GLIMDA, 8.2GLIMDM



12642

