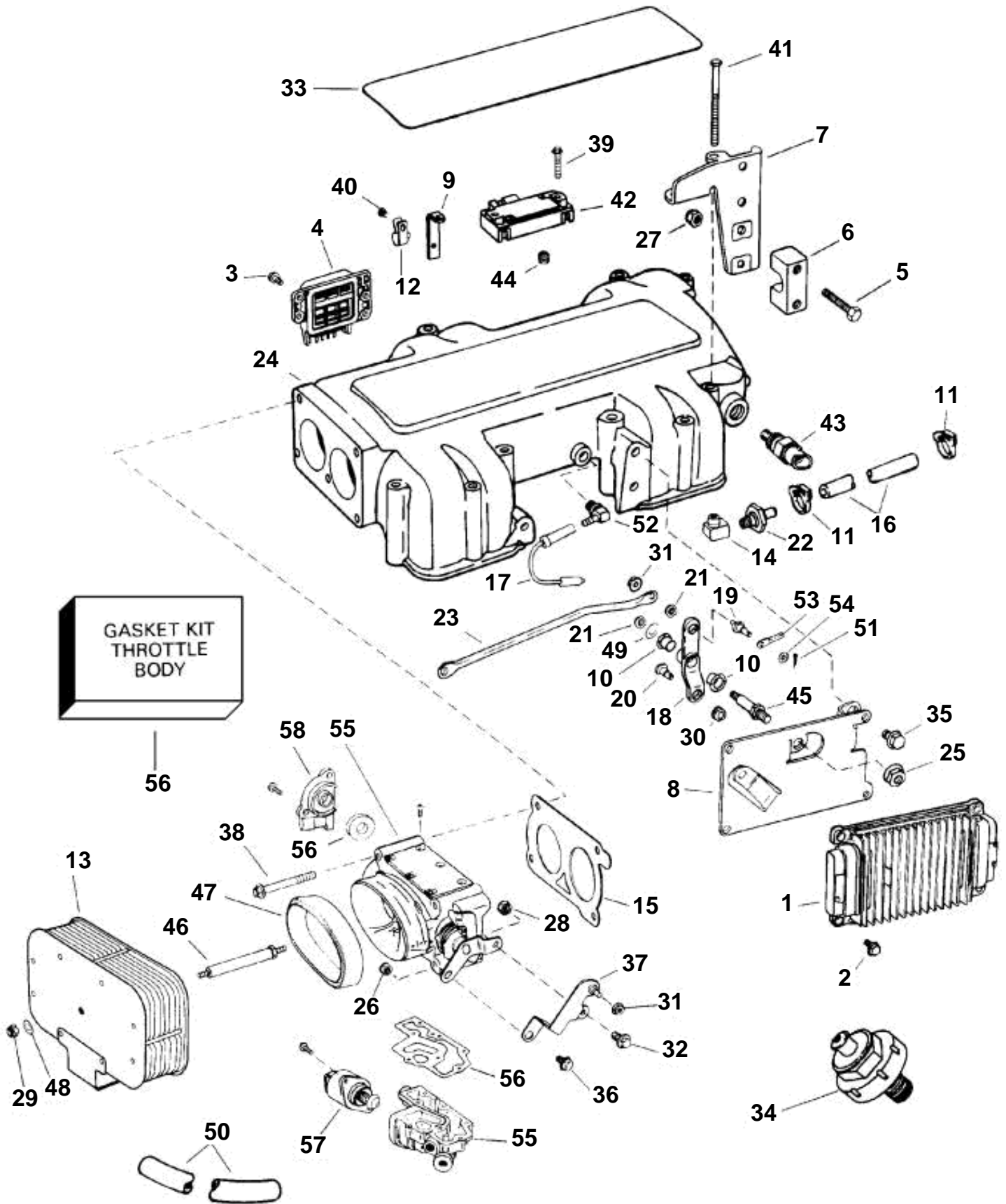


DPX385XLKE



DPX385XLKE

| REF | PART NO. | QTY | DESCRIPTION | NOTES |
|-----|----------|-----|---|---------------|
| 1 | 3855764 | 1 | Ecu, GSi | |
| 2 | 3855578 | 4 | Screw, ECM to bracket | |
| 3 | 3852115 | 2 | Screw, Knock sensor | |
| 4 | 3854521 | 1 | Control unit | |
| 5 | 3852048 | 1 | Screw | |
| 6 | 3850266 | 1 | Anchorage, Throttle cable | |
| 7 | 3854569 | 1 | Bracket, Throttle cable | |
| 8 | | 1 | Bracket, ECU & throttle lever to manifold | |
| 9 | 3854820 | 1 | Bracket, Clamp, fuel line to intake manifold | |
| 10 | 3852094 | 1 | Bushing, Shaft, throttle lever pivot | |
| 11 | 3852170 | 1 | Clamp, Hose, reservoir to pulse limiter | Reservoir end |
| | 3852529 | 1 | Clamp, Hose, reservoir to pulse limiter | Limiter end |
| 12 | | 1 | Clamp, Fuel line to bracket | |
| 13 | 3854669 | 1 | Flame shield | |
| 14 | 3854675 | 1 | Elbow, Pulse limiter to intake manifold | |
| 15 | 3854520 | 1 | Gasket, Throttle body | |
| 16 | 3853582 | 1 | Hose, Reservoir to pulse limiter | |
| 17 | 3854677 | 1 | Hose, Regulator to intake manifold | |
| 18 | | 1 | Lever, To ECM module & throttle lever bracket | |
| 19 | 3854742 | 1 | Pin, Throttle cable lever | |
| 20 | 3854743 | 1 | Pin, Throttle cable lever | |
| 21 | 3854744 | 2 | Nut, Pins to throttle cable lever | |
| 22 | 3852225 | 1 | Impulse limiter, Reservoir to intake manifold | |
| 23 | 3854648 | 1 | Link, Throttle lever to lever | |
| 24 | | 1 | Manifold, Upper intake | |
| 25 | 3852005 | 1 | Nut, Shaft, throttle lever pivot | |
| 26 | 3852009 | 1 | Nut, Lever & pin assy | |
| 27 | 3852118 | 1 | Nut, Anchor, throttle cable to bracket | |
| 28 | 3852420 | 1 | Lock nut, Screw, throttle lever to throttle body | |
| 29 | 3852420 | 1 | Lock nut, Flame arrestor to throttle body | |
| 30 | 3853404 | 1 | Lock nut, Throttle pivot shaft to bracket | |
| 31 | 3853729 | 2 | Nut, Link, throttle cable lever to lever | |
| 32 | 3852053 | 1 | Screw, Lever to throttle body | |
| 33 | 3854992 | 1 | Decal | 7.4GSi |
| 34 | | 1 | Knock sensor | |
| 35 | 3853398 | 2 | Screw, Bracket, ECM module & throttle pivot | |
| 36 | 3853428 | 1 | Screw, Throttle lever to throttle body | |
| 37 | 3854566 | 1 | Lever | |
| 38 | 3854651 | 4 | Screw, Throttle body to manifold | |
| 39 | 3854655 | 2 | Screw, MAP sensor | |
| 40 | 3854897 | 1 | Screw, Clamp, fuel line to bracket | |
| 41 | 3855091 | 12 | Screw, Upper to lower intake manifold | |
| 42 | 3850396 | 1 | Sensor | |
| 43 | 3854527 | 1 | Sender, Manifold air temperature (MAT) | |
| 44 | 3854650 | 1 | Seal, MAP sensor | |
| 45 | 3854649 | 1 | Control shaft, Pivot, throttle cable lever to bracket | |
| 46 | 3854671 | 1 | Stud, Flame arrestor to throttle body | |
| 47 | 3854670 | 1 | Grommet, Flame arrestor to throttle body | |
| 48 | 3852184 | 1 | Washer, Flame arrestor to throttle body | |
| 49 | 3852189 | 1 | Washer, Throttle lever to pivot shaft | |
| 50 | 3852435 | 2 | Hose, Flame arrestor to valve cover | Cut to length |
| 51 | 3852052 | 1 | Cotter pin | |
| 52 | 3854679 | 1 | Elbow, Intake manifold to reg. hose | |
| 53 | 3850941 | 1 | Adapter, Throttle cable | |
| 54 | 3852193 | 1 | Washer, Pin, throttle cable to lever | |
| 55 | | 1 | Throttle | |
| 56 | 3855193 | 1 | • Repair kit, Throttle body | |
| 57 | 3855194 | 1 | • Sender | |
| 58 | 3855296 | 1 | • Sender, Throttle position | |