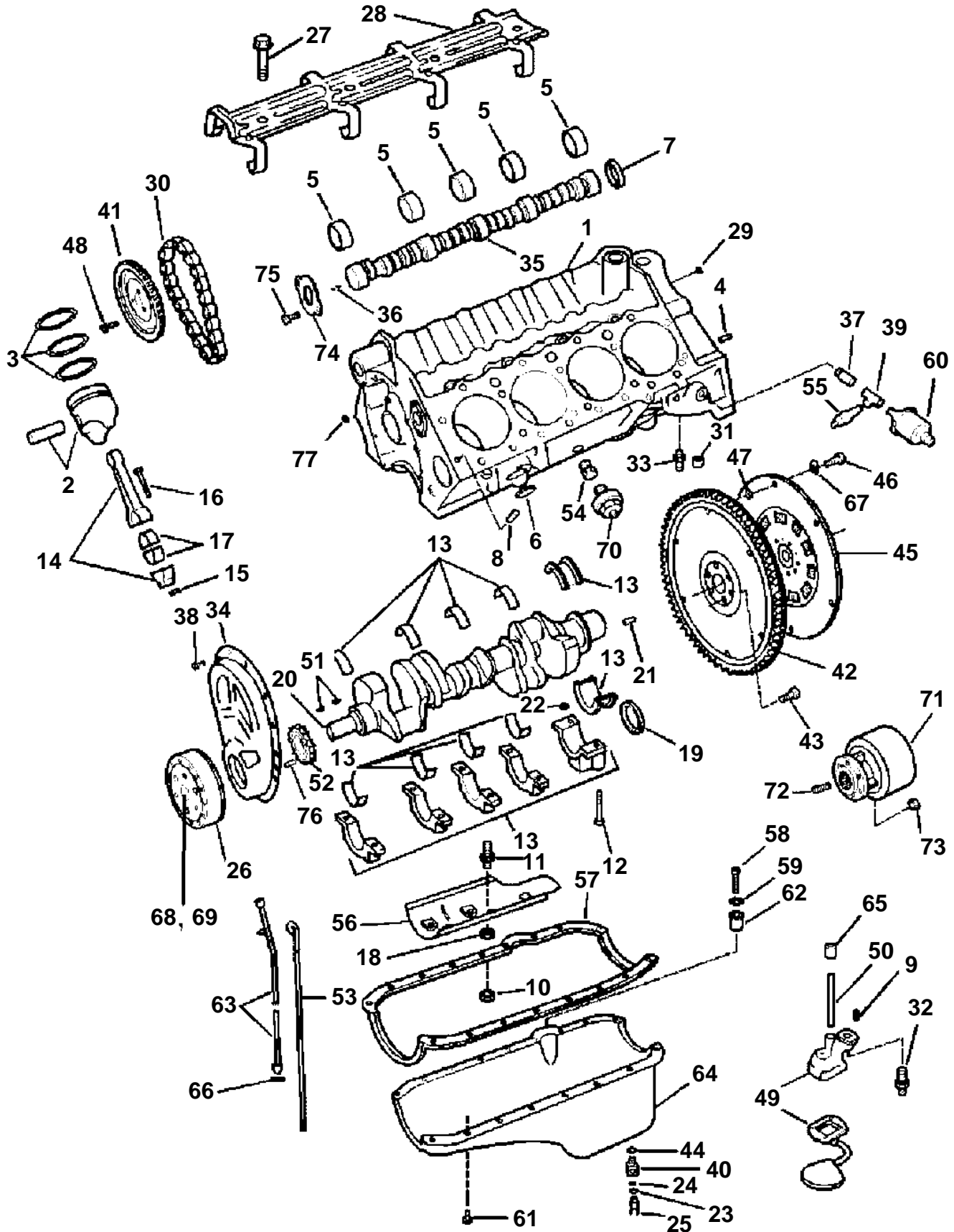


8.2GSIPBYCCE, DPX415XBYDCE



GR71923

Upd: 2008-10-20

12130

7797520 - 21 - 35174

## 8.2GSIPBYCCE, DPX415XBYDCE

REF	PART NO.	QTY	DESCRIPTION	SEE SEC.	NOTES
1	3856689	1	Longblock · Bulletin P-21-0-6	P-21-0-6-EN	Longblock Guidelines, 7.4L and 8.2L
2	3850027	8	Piston kit, Standard Piston kit, 0.032 in. OS		As required
3	3855039 3855040	8	Piston ring kit, Standard Piston ring kit, 0.030 in. OS		As required
4	3856001	2	Pin, Flywheel housing		
5	3856881	1	Camshaft bearing kit, Cam		
6	3852100	8	Core plug, Expansion		
7	3853348	1	Core plug, Camshaft		
8	3853344	4	Locating pin, Cylinder head location		
9	3855972	1	Pin, Oil pump		
10	3853134	5	Nut, Oil baffle		
11	3855982	4	Stud, Bearing cap		
12	3853500 3853501	10 10	Screw, Bearing cap , outer Screw, Bearing cap, inner		
13	3856880	1	Main bearing kit, Main, standard		
14	3853355	8	Connecting rod		
15	3856016	16	Nut, Connecting rod		
16	3853356	16	Screw, Connecting rod		
17	3855985	8	Big end bearing kit, Connecting rod, standard		
18	3853357	5	Washer, Oil deflector		
19	3853528	1	Crankshaft seal, Rear main		
20	3853586	1	Crankshaft		
21	3855969	1	Pin, Flywheel		
22	3853538	1	O-ring, Bearing cap		
23	3852007	1	Washer, Retainer, oil pan drain		
24	3853674	1	O-ring, Retainer, oil pan drain		
25	3850822	1	Hollow screw, Fitting, oil pan drain		
26		1	Vibration damper		
27	3853358	4	Screw, Lifter guide retainer		
28	3855999	1	Retainer, Lifter guide		
29	856547	2	Plug, Engine block oil gallery		
30	3853506	1	Camshaft chain		
31	3855996	1	Oil valve, Oil filter by-pass		
32	3853359	1	Stud, Oil pump		
33	3852097	1	Connector		
34	3855979	1	Cover		
35	3856021	1	Camshaft		
36	3855972	1	Pin, Cam sprocket		
37	3852465	1	Bushing, Reducer		
38	3855997	6	Screw, Timing cover		
39	3852610	1	T-nipple, Oil pressure		
40	3855112	1	Fitting, Oil pan drain		
41	3855981	1	Camshaft gear, Camshaft		
42	3854094 3853207	1 1	Flywheel · Gear ring, Flywheel		Not shown
43	3856130	6	Screw, Flywheel		
44	3851981	1	Sealing washer, Oil pan drain fitting		
45	854185	1	Vibration damper, DP-X		
46	835482	6	Screw, Damper to flywheel		
47	942336	6	Spring washer, Screw, damper to flywheel		
48	3853173	3	Screw, Cam sprocket		
49	3855035	1	Oil pump		
50	3855976	1	Shaft, Oil pump drive		
51	3853527	2	Woodruff key, Crankshaft		
52	3856031	1	Crankshaft gear, Crankshaft		
53	3850474	1	Oil dipstick		
54	3850802	2	Plug, Water drain, engine		
55	3852215	1	Sender, Oil pressure		
56	3854090	1	Baffle plate, Oil pan		
57	3853510	1	Gasket, Oil pan		
58	3852179	1	Screw, Oil pan plug		

## 8.2GSIPBYCCE, DPX415XBYDCE

REF	PART NO.	QTY	DESCRIPTION	SEE SEC.	NOTES
59	3852188	1	Washer, Oil pan plug		
60	3857532	1	Sender, Oil pressure		
61	3853358	20	Screw, Oil pan		
62	3852611	1	Plug, Oil pan hole		
63	3854657	1	Tube, Oil withdrawal and level		
64	3855990	1	Oil pan		
65	3853199	1	Retainer, Oil pump shaft		
66	3852033	1	O-ring, Oil tube to fitting		
67	940097	6	Washer, Damper to flywheel		
68	3853502	1	Flange screw, Torsional damper		
69	3853354	1	Washer, Torsional damper		
70	3854512	1	Sensor		
71	3853962	1	Rubber coupling, SX, DP-S		
72	3853274	6	Stud, Coupler		
73	3853273	6	Lock nut, Stud, coupler		
74	3855998	1	Retainer, Camshaft		
75	3853172	2	Screw, Camshaft retainer		
76	3855972	2	Pin, Timing cover		
77	3852471	1	Plug		