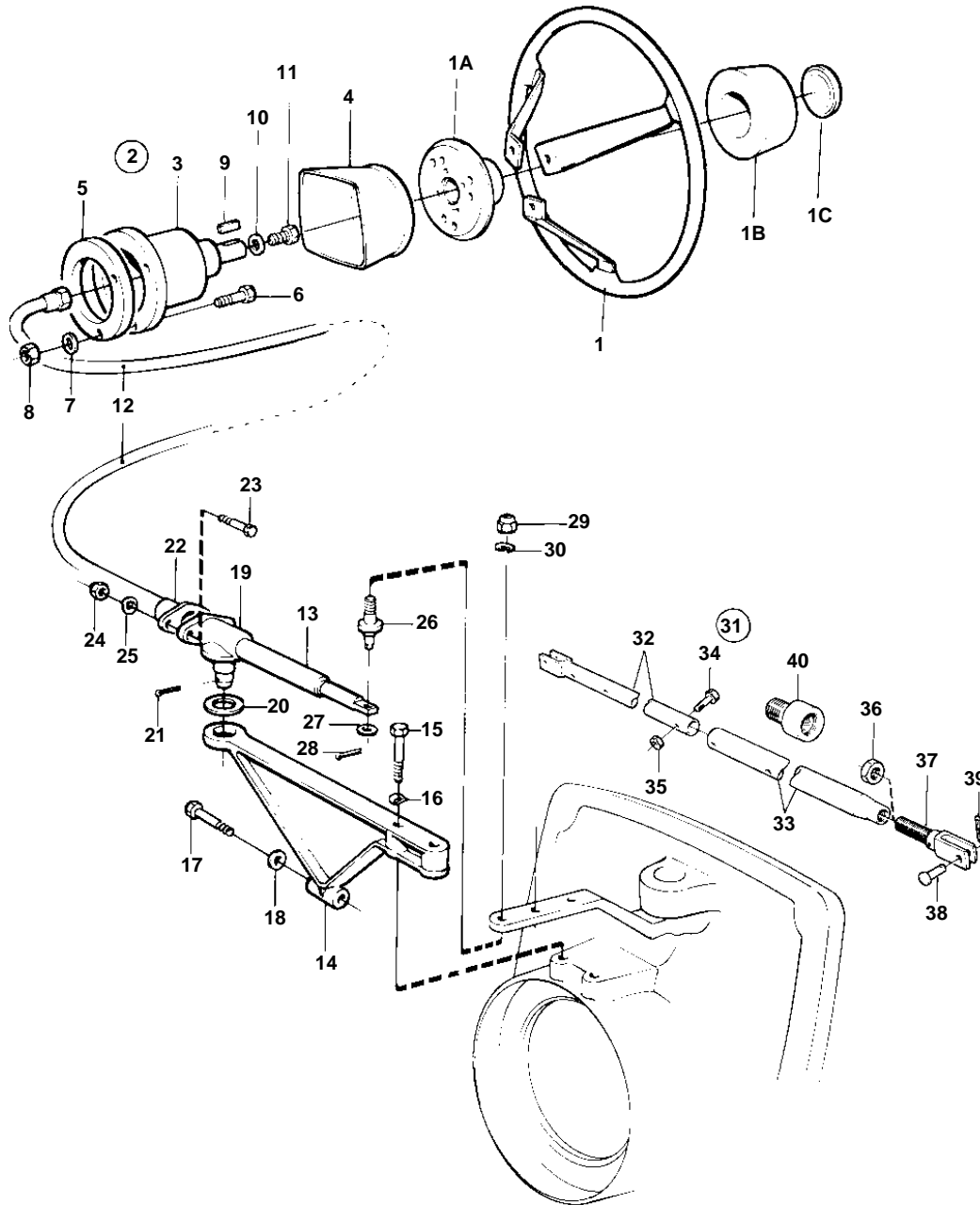


500A, 501A, 501A/MS4



8880

500A, 501A, 501A/MS4

REF	PART NO.	QTY	DESCRIPTION	NOTES
1	850936	1	Steering wheel	
1A		1	· Steering wheel hub	
1B		1	· Steering wheel pad	
1C		1	· Emblem	
2		1	Steering gear	
3		1	· STEERING GEAR	
4		1	· Cover	
5		1	· Washer	
6	940101	3	· Hexagon screw	
7	941906	3	· Spring washer	
8	955781	3	· Hexagon nut	
9		1	· Key	
10		1	· Washer	
11	970944	1	· Hexagon screw	(940148)
12		X	Steering cable	L = 800 MM
		X	Steering cable	L = 2750mm
		X	Steering cable	L = 3000 MM
		X	Steering cable	L = 3500mm
		X	Steering cable	L = 3750 MM
		X	Steering cable	L = 4000 MM
		X	Steering cable	L = 4250 MM
		X	Steering cable	L = 4500 MM
		X	Steering cable	L = 4750mm
		X	Steering cable	L = 5000 MM
		X	Steering cable	L = 5250mm
		X	Steering cable	L = 5500 MM
		X	Steering cable	L = 5750mm
		X	Steering cable	L = 6000 MM
		X	Steering cable	L = 6500mm
		X	Steering cable	L = 7000 MM
		X	Steering cable	L = 7500 MM
		X	Steering cable	L = 8000 MM
		X	Steering cable	L = 8500 MM
		X	Steering cable	L = 9000 MM
		X	Steering cable	L = 9500 MM
13		1	Steering cylinder	FOR STARBOARD MOUNTING.
		1	Steering cylinder	FOR PORT MOUNTING.
14		1	Steering kit	(853074)
15	970954	2	Hexagon screw	(955324)
16	941908	2	Spring washer	
17	940142	1	Hexagon screw	
18	960141	1	Washer	
19		1	Anchorage	
20	955904	1	Washer	
21		1	Split pin	
22		1	Cardboard tube	
23	940101	2	Hexagon screw	
24	963105	2	Lock nut	
25	949607	2	Spring washer	
26	853077	1	Stud	
27	940097	1	Washer	
28	907844	1	Split pin	
29	963108	1	Lock nut	
30	940280	1	Spring washer	(949608)
31		1	Link stay	ONLY FOR TWIN INSTALLATION., ADJUSTABLE BETWEEN 610-970 MM.
32	828892	1	· Tube	
33	828893	1	· Tube	
34	970951	2	· Hexagon screw	(955321)
35	971089	2	· Lock nut	(963107)
36	955806	1	· Hexagon nut	
37	828894	1	· Adjusting bar	
38	913158	2	· Clevis pin	
39	967707	2	· Split pin	

500A, 501A, 501A/MS4

REF	PART NO.	QTY	DESCRIPTION	NOTES
40	1140020	1	Impulse limiter	