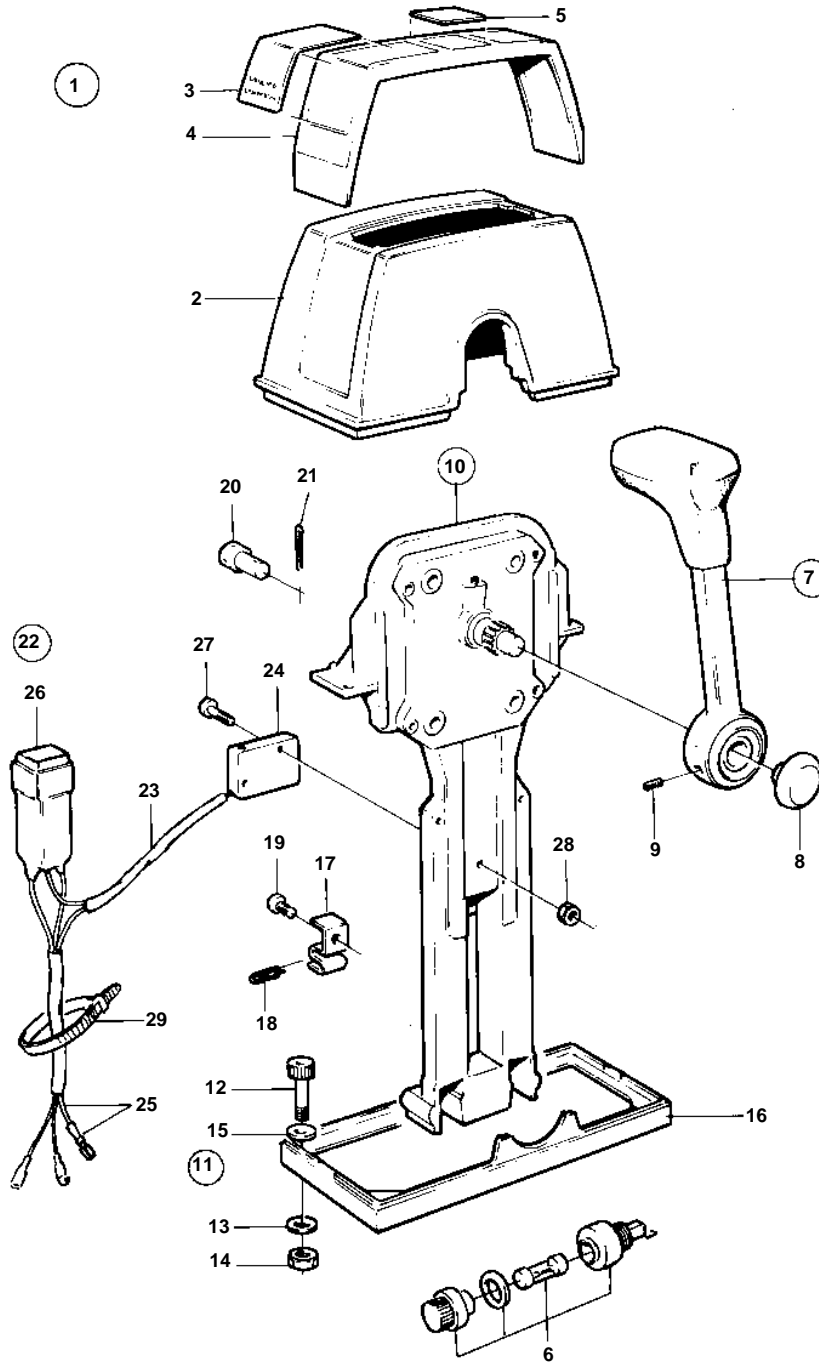


500A, 501A, 501A/MS4



8885

500A, 501A, 501A/MS4

REF	PART NO.	QTY	DESCRIPTION	NOTES
1	853169	1	Mounting kit	TWIN
2	851881	1	• Cover	
3	851895	2	• Decal	
4		1	• Crossbar	
5	851897	1	• Decal	
7	852347	2	• Hand lever	
8	853004	2	• Push button	
9	963678	2	• Hex. socket screw	
10	851600	2	• Control	
11		1	• Screw kit	
12	947671	4	• • Hex. socket screw	
13	960138	4	• • Washer	
14	955780	4	• • Hexagon nut	
15	940090	4	• • Washer	
16	839479	1	• Plate	
17	853423	2	• Retainer	
18	852924	2	• Clip	
19	839664	2	Screw	
20	839638	2	Cube	
21	17253	2	Split pin	
22	855352	2	Neutral position con	(839641)
23		2	• Cable kit	
24	850200	2	• • Toggle switch	
25		X	• • CABLES AND TERMINALS	
26	876037	2	• Relay kit	(1501832)
27	946177	4	• Cross recessed screw	
28	947536	4	• Hexagon nut	
29	948210	X	• Cable tie	