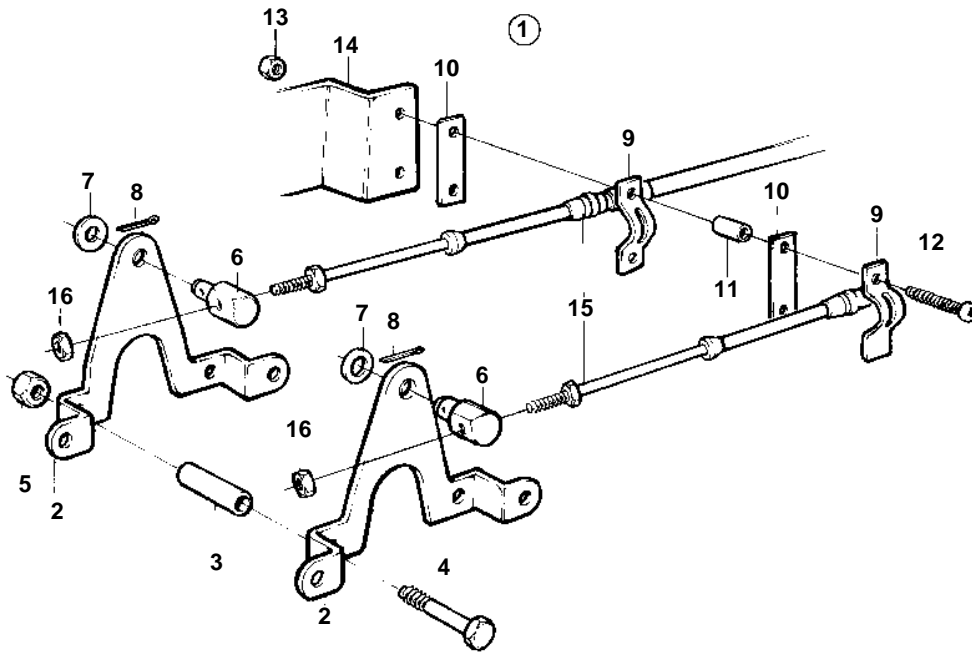


500A, 501A, 501A/MS4



9531

500A, 501A, 501A/MS4

REF	PART NO.	QTY	DESCRIPTION	SEE SEC.	NOTES
1		1	Connector kit		
2	853922	2	· Intermediate lever		
3	853921	2	· Spacer sleeve		
4	955276	2	· Hexagon screw		
5	946035	2	· Lock nut		
6	804312	2	· Cube		
7	955892	2	· Washer		
8	17276	2	· Split pin		
9	21471054	2	· Bracket		
10	819068	2	· Washer		
11	830674	2	· Spacer sleeve		
12	955250	2	· Hexagon screw		
13	965483	2	· Flange nut		
14		1	BRACKET		SEE GROUP 4B
15		X	CONTROL CABLE	19826	
16	951674	2	Lock nut		