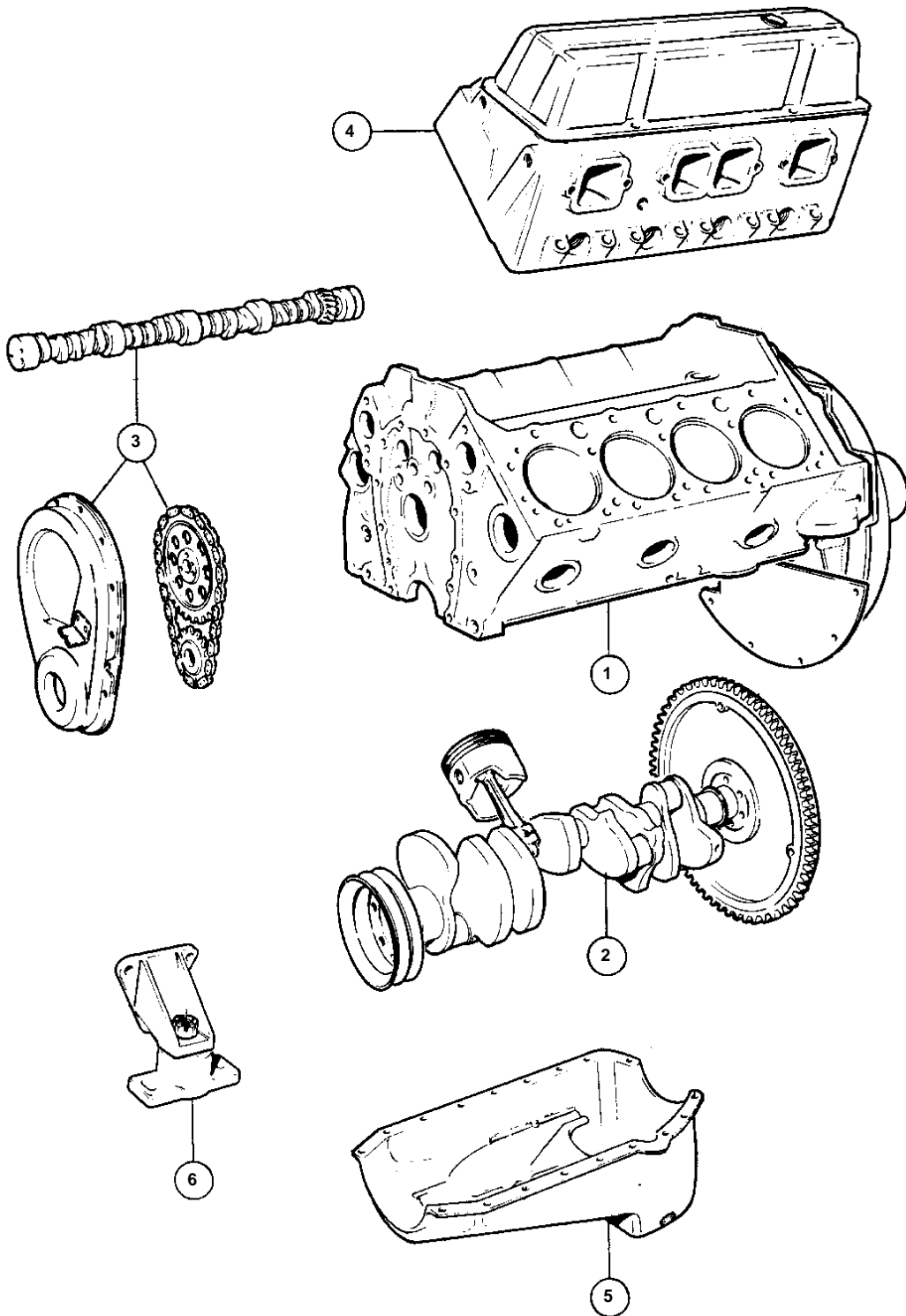


500A, 501A



5515

500A, 501A

REF	QTY	DESCRIPTION	SEE SEC.
1	1	CYLINDER BLOCK AND FLYWHEEL COVER	19720
2	1	CRANKSHAFT AND RELATED PARTS	19722
3	1	CAMSHAFT AND VALVE MECHANISM	19724
4	1	CYLINDER HEAD	19718
5	1	LUBRICATING SYSTEM	19726
6	1	ENGINE MOUNTS	19728