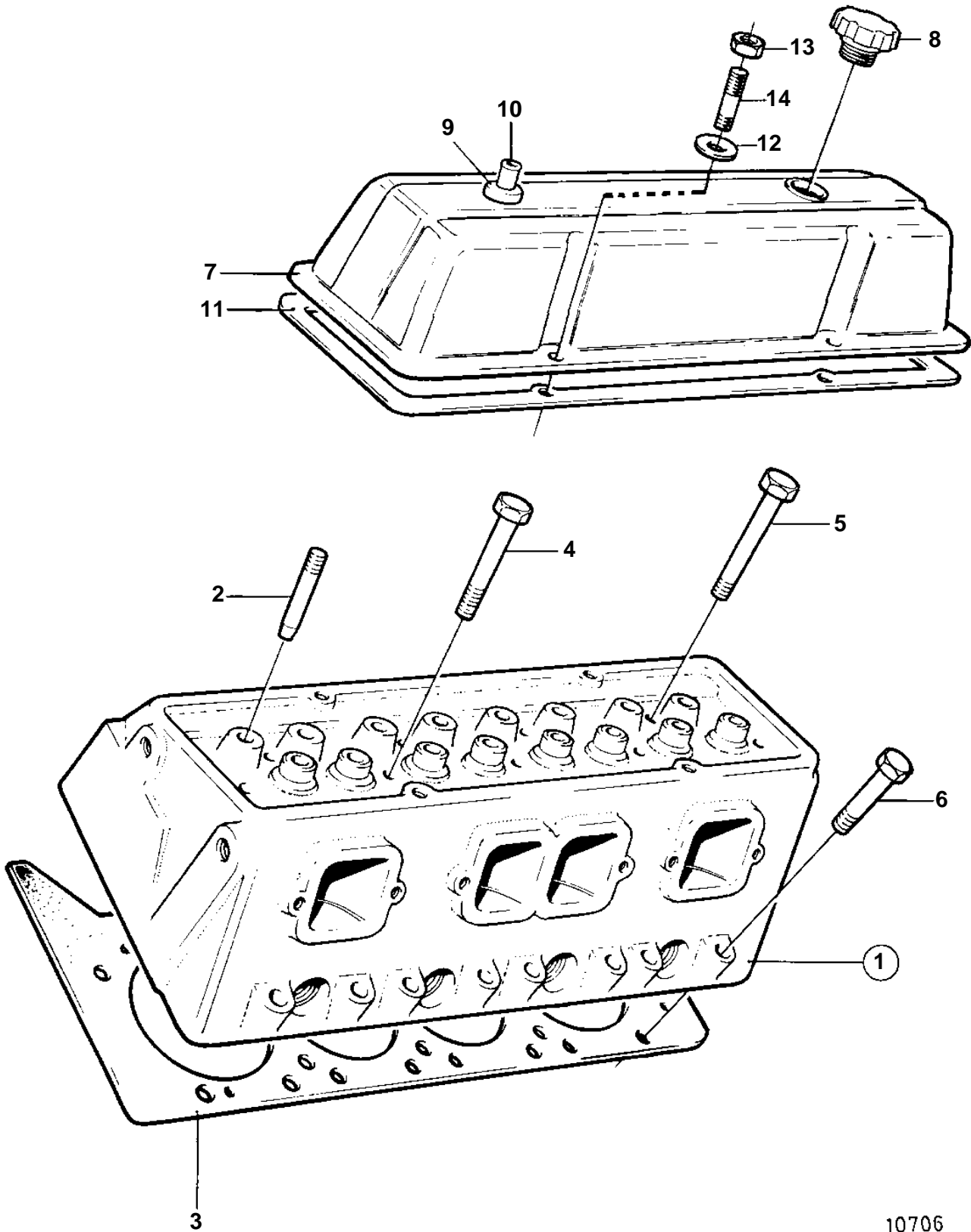


500A, 501A



10706

500A, 501A

| REF | PART NO. | QTY | DESCRIPTION     | SEE SEC. | NOTES        |
|-----|----------|-----|-----------------|----------|--------------|
| 1   | 856060   | 2   | Cylinder head   |          |              |
| 2   | 835108   | 16  | · Stud          | 19724    |              |
| 3   | 856474   | 2   | Gasket          |          |              |
| 4   | 835077   | 14  | Screw           |          |              |
| 5   | 835079   | 4   | Screw           |          |              |
| 6   | 835078   | 16  | Screw           |          |              |
| 7   | 856664   | 2   | Valve cover     |          |              |
| 8   | 856442   | 2   | Oil filler cap  |          |              |
| 9   | 835415   | 2   | Rubber bushing  |          | SEE GROUP 2C |
| 10  | 855902   | 2   | Hose attachment |          | SEE GROUP 2C |
|     | 841261   | X   | Sealant         |          | SEE GROUP 9  |
| 11  | 856072   | 2   | Gasket          |          |              |
| 12  |          | 8   | Washer          |          |              |
| 13  |          | 8   | Flange nut      |          |              |
| 14  | 856400   | 8   | Screw           |          |              |