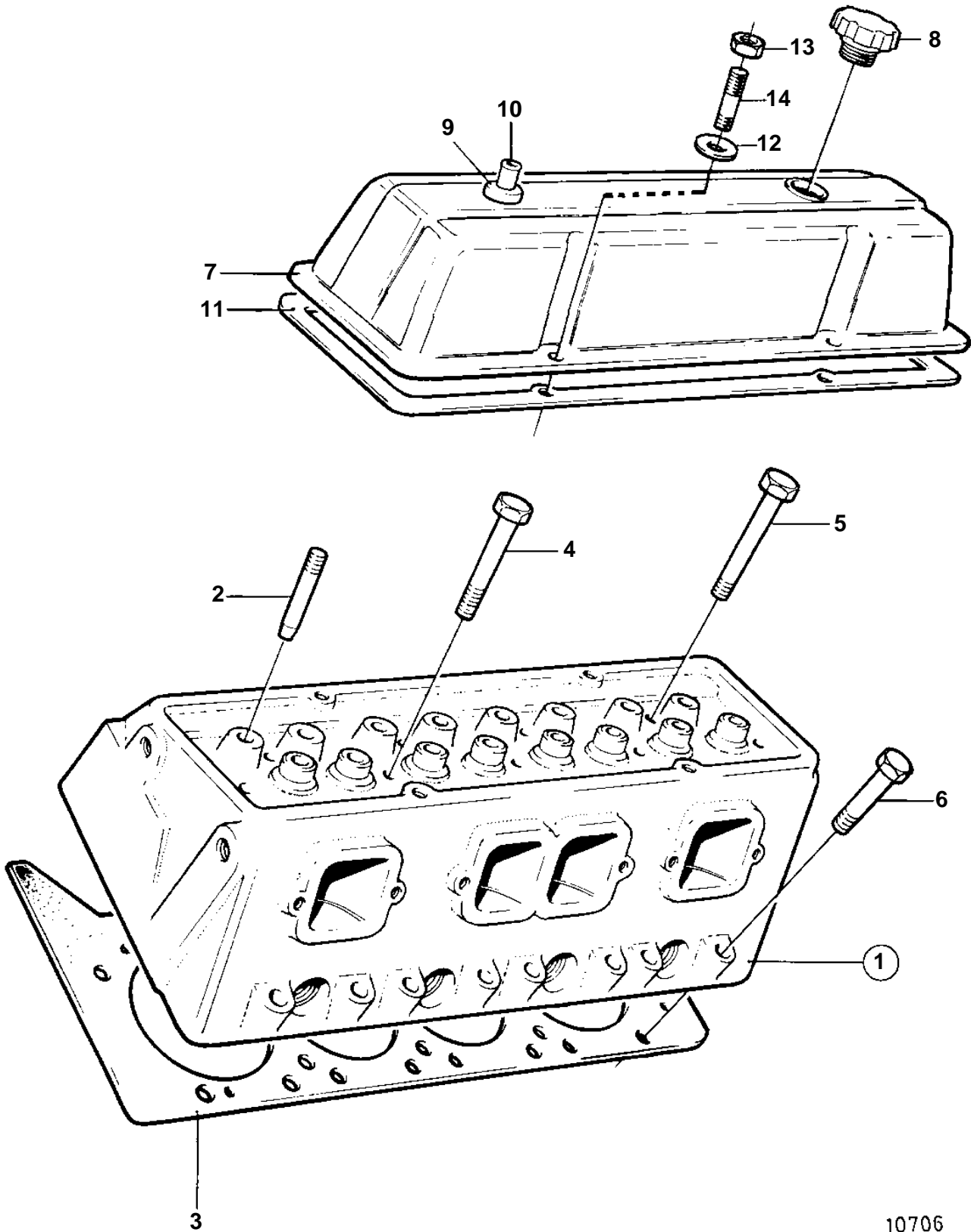


501A/MS4



10706

501A/MS4

REF	PART NO.	QTY	DESCRIPTION	SEE SEC.	NOTES
1	856060	2	Cylinder head		
2	835108	16	· Stud	19719	
3	856474	2	Gasket		
4	835077	14	Screw		
5	835079	4	Screw		
6	835078	16	Screw		
7	856664	2	Valve cover		
8	856442	2	Oil filler cap		
9	835415	2	Rubber bushing		SEE GROUP 2C
10	855902	2	Hose attachment		SEE GROUP 2C
	841261	X	Sealant		SEE GROUP 9
11	856072	2	Gasket		
12		8	Washer		
13		8	Flange nut		
14	856400	8	Screw		(856073)