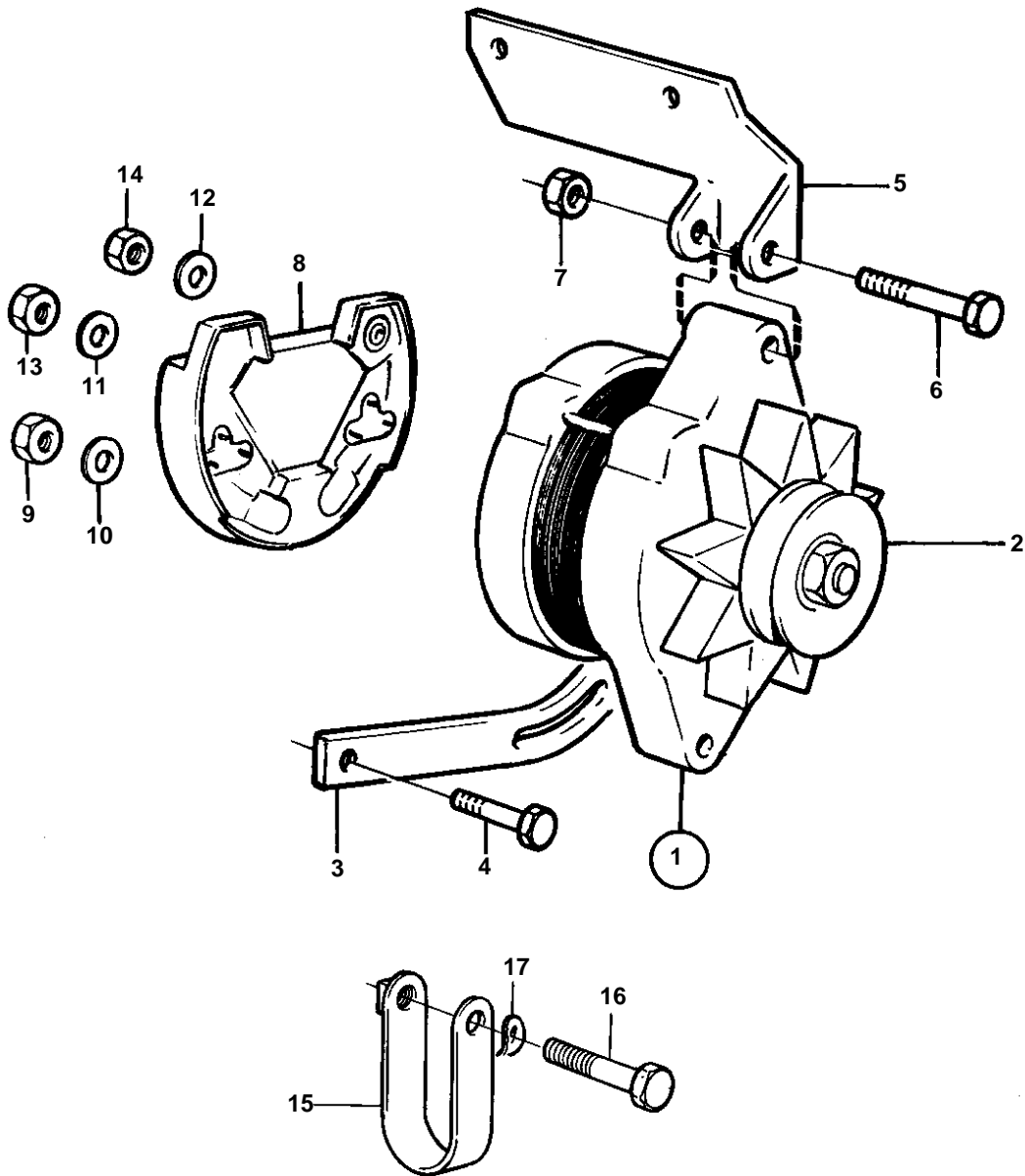


501A/MS4



8281

501A/MS4

REF	PART NO.	QTY	DESCRIPTION	SEE SEC.	NOTES
1	858838	1	Alternator		FOR 12 VOLTAGE ELECTRIC SYSTEM., ALSO AVAILABLE AS AN EXCHANGE PART., 14V 50A SN 71372-
				19752	
2	841813	1	Pulley		
3	855390	1	Tensioner		SN 67511-
4	955534	1	Hexagon screw		
5		1	Anchorage		
6	955700	1	Hexagon screw		
7	950375	1	Lock nut		
8	840638	1	Junction block		REPL BY 858968
	858968	1	Junction block		
9	955781	1	Hexagon nut		
10	941906	1	Spring washer		
11	941905	1	Spring washer		
12	941907	1	Spring washer		
13	955781	1	Hexagon nut		+
14	955780	1	Hexagon nut		
15	466735	1	Tensioning eyelet		
16	955298	1	Hexagon screw		
17	941907	1	Spring washer		