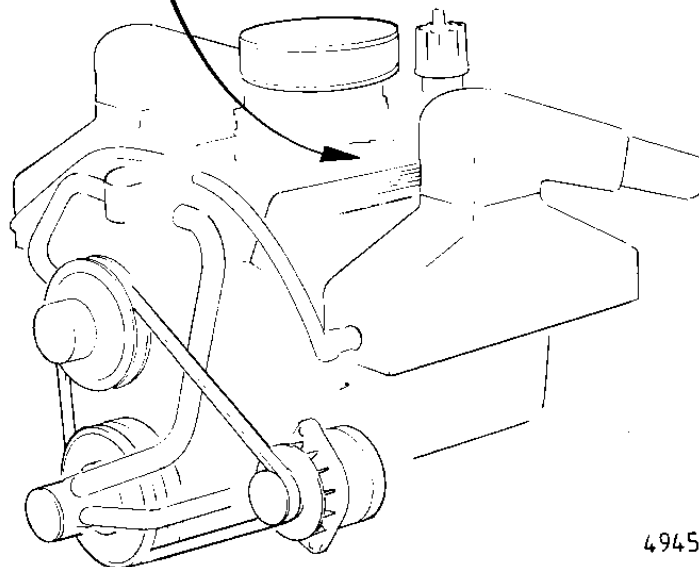
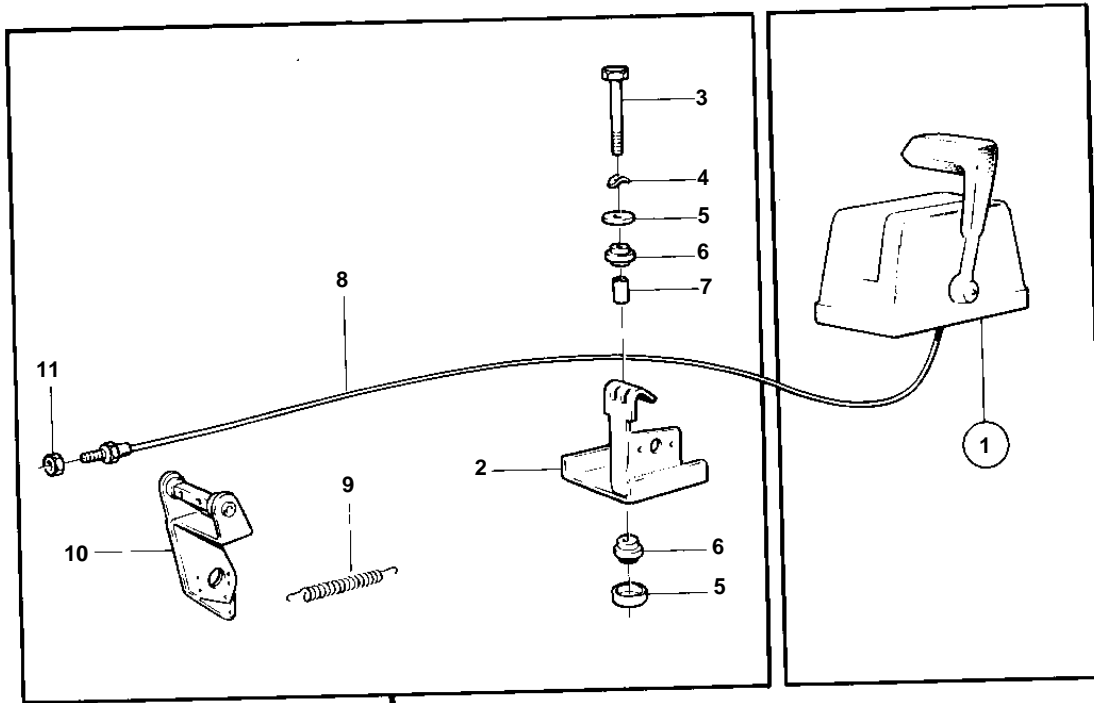


501A/MS4



4945

501A/MS4

REF	PART NO.	QTY	DESCRIPTION	NOTES
1		X	ENGINE SPEED CONTROL	SEE GROUP 9
2	834700	1	Bracket	REPLACED BY BRACKET 856875 + LEVER 856859., FOR PRODUCT DESIGNATION 501A/MS4 SN-4100128694.
	856875	1	Bracket	FOR PRODUCT DESIGNATION 501A/MS4 SN 4100128695-
3	940159	2	Hexagon screw	
4	941907	2	Spring washer	
5	418531	4	Washer	
6	403877	4	Rubber bushing	
7	403894	2	Spacer sleeve	
8		X	CONTROL CABLE	SEE GROUP 9
9	804274	1	Tension spring	
10	856682	1	Intermediate lever	FOR PRODUCT DESIGNATION 501A/MS4 SN-4100128694.
	856859	1	Intermediate lever	FOR PRODUCT DESIGNATION 501A/MS4 SN 4100128695-
11	955844	2	Hexagon nut	