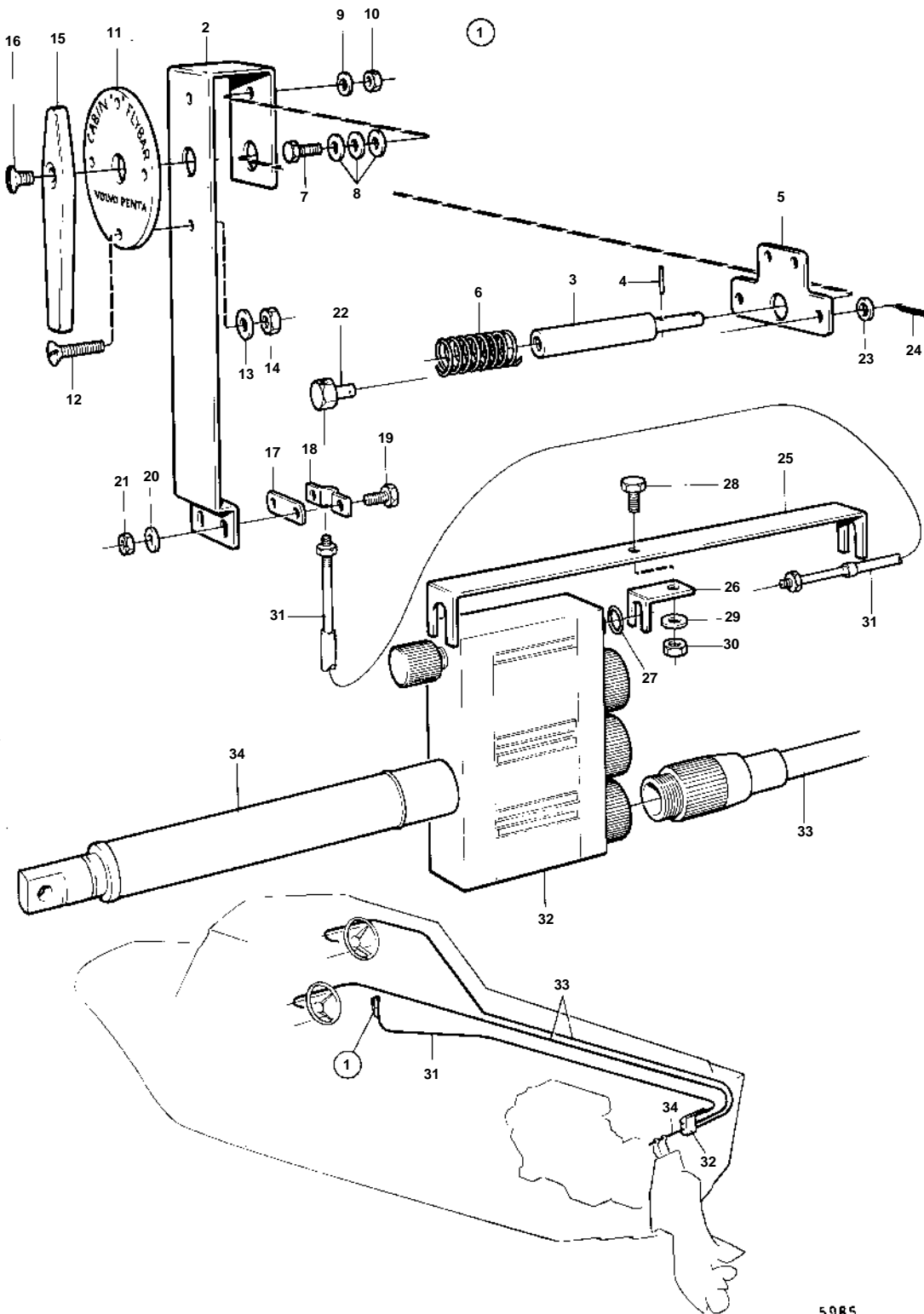


COMMON



5985

COMMON

REF	PART NO.	QTY	DESCRIPTION	SEE SEC.	NOTES
1	851744	1	Control		
2	851902	1	• Bracket		
3	851903	1	• Shaft		
4	951947	2	• Pin		
5	851904	1	• Lever		
6	851901	1	• Spring		
7	851940	1	• Screw		
8	960137	3	• Washer		
9	955945	1	• Washer		
10	955779	1	• Nut		
11	851905	1	• Ring		
12	851941	4	• Screw		L = 20 MM ALT
	851942	4	• Screw		L = 30 MM ALT
	851943	4	• Screw		L = 40 MM ALT
13	955946	4	• Lock washer		
14	955780	4	• Nut		
15	851906	1	• Handle		
16	851997	1	• Screw		
17	819068	1	• Washer		
18	819067	1	• Brace		
19	955243	2	• Screw		
20	955946	2	• Lock washer		
21	955780	2	• Nut		
22	804312	1	• Cube		
23	940191	1	• Washer		
24	907834	1	• Cotter pin		(17276)
25	851907	1	• Bracket		
26	851908	1	• Bracket		
27	850418	1	• O-ring		
28	955243	1	• Screw		
29	955946	1	• Lock washer		
30	955780	1	• Nut		
31	825765	X	Stop cable		L = 3300 MM ALT
	825764	X	Stop cable		L = 6900 MM ALT
32	851743	1	Transfer gear		
33		X	STEERING CABLE	060-0250	
34		X	STEERING CYLINDER	060-0250	