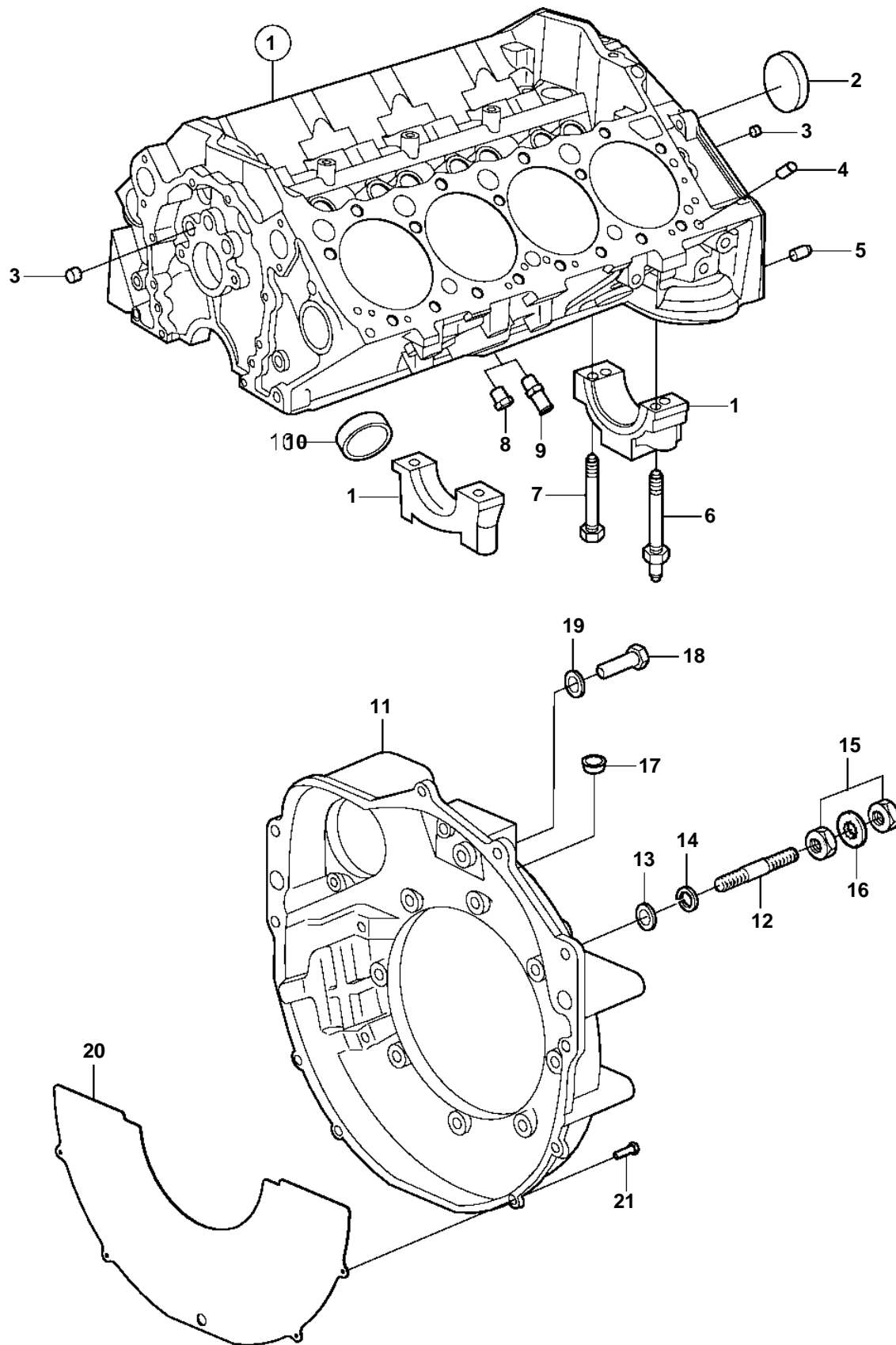


5.7Giil-A, 5.7GSil-A, 5.7GXil-A, 5.7GXil-B



5.7GiI-A, 5.7GSil-A, 5.7GXil-A, 5.7GXil-B

REF	PART NO.	QTY	DESCRIPTION	NOTES
1			Cylinder block	
2	3853209	1	Core plug	
3	952075	2	Plug	
4	3853114	4	Locating pin, cylinder head	
5	3856001	2	Pin, flywheel housing	
6	3862354	6	Stud	
7	3862355	10	Screw	
8	3850802	X	Plug	
9	3858501	X	Hose nipple	
10	3852100	8	Core plug	
11	841056	1	Flywheel housing	
12	982675	2	Stud	
13	3852058	2	Washer	
14	3852002	2	Lock washer	
15	982672	4	Nut	
16	3852070	2	Washer	
17	943589	1	Plug	
18	955535	1	Screw	L=1.25" (32mm)
	955541	2	Screw	L=3.00" (76mm)
19	942336	3	Spring washer	
20	857259	1	Cover plate	
21	969476	4	Screw	