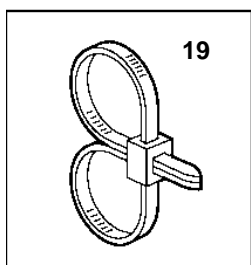
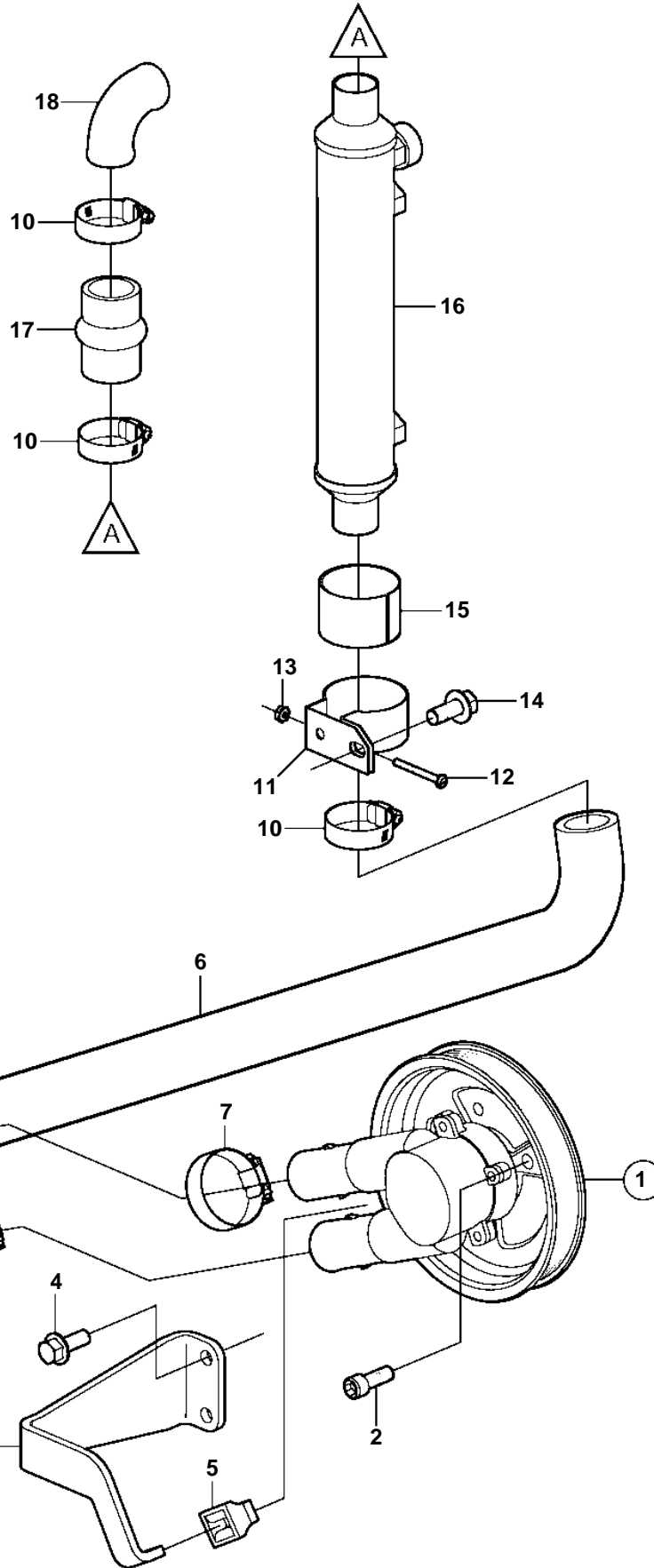
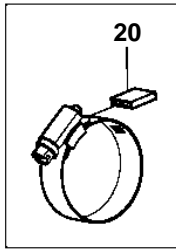


5.7GiI-A, 5.7GSiI-A, 5.7GXii-A, 5.7GXii-B



Upd: 01 FEB 2006

18613

18613

7744300 - 26 - 7514

5.7Giil-A, 5.7GSil-A, 5.7GXil-A, 5.7GXil-B

| REF | PART NO. | QTY | DESCRIPTION | SEE SEC. | NOTES |
|-----|----------|-----|----------------|----------|-------------------|
| 1 | 3857202 | 1 | Sea water pump | 7417 | |
| 2 | 3857939 | 3 | Screw | | |
| 3 | 3858241 | 1 | Bracket | | |
| 4 | 3853266 | 2 | Screw | | |
| 5 | 3857954 | 1 | Stop | | |
| 6 | 3861400 | 1 | Hose | | |
| 7 | 3850422 | 1 | Clamp | | |
| 8 | 3858237 | 1 | Hose | | |
| 9 | 3853786 | 1 | Clamp | | |
| 10 | 3853786 | 3 | Clamp | | |
| 11 | | 1 | Clamp | | |
| 12 | 3852126 | 1 | Screw | | |
| 13 | 3852079 | 1 | Nut | | |
| 14 | 3853154 | 1 | Screw | | |
| 15 | 3853236 | 1 | Spacer | | |
| 16 | 3861479 | 1 | Oil cooler | | |
| 17 | 3860021 | 1 | Hose | | |
| 18 | | 1 | Elbow | | |
| 19 | 3850115 | 1 | Strip clamp | | |
| 20 | 3858532 | X | Cover | | W=0.465" (11.8mm) |