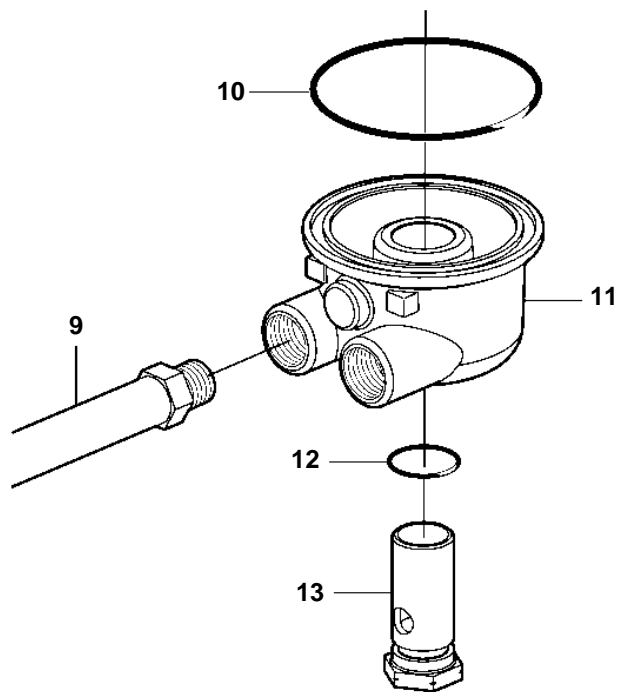
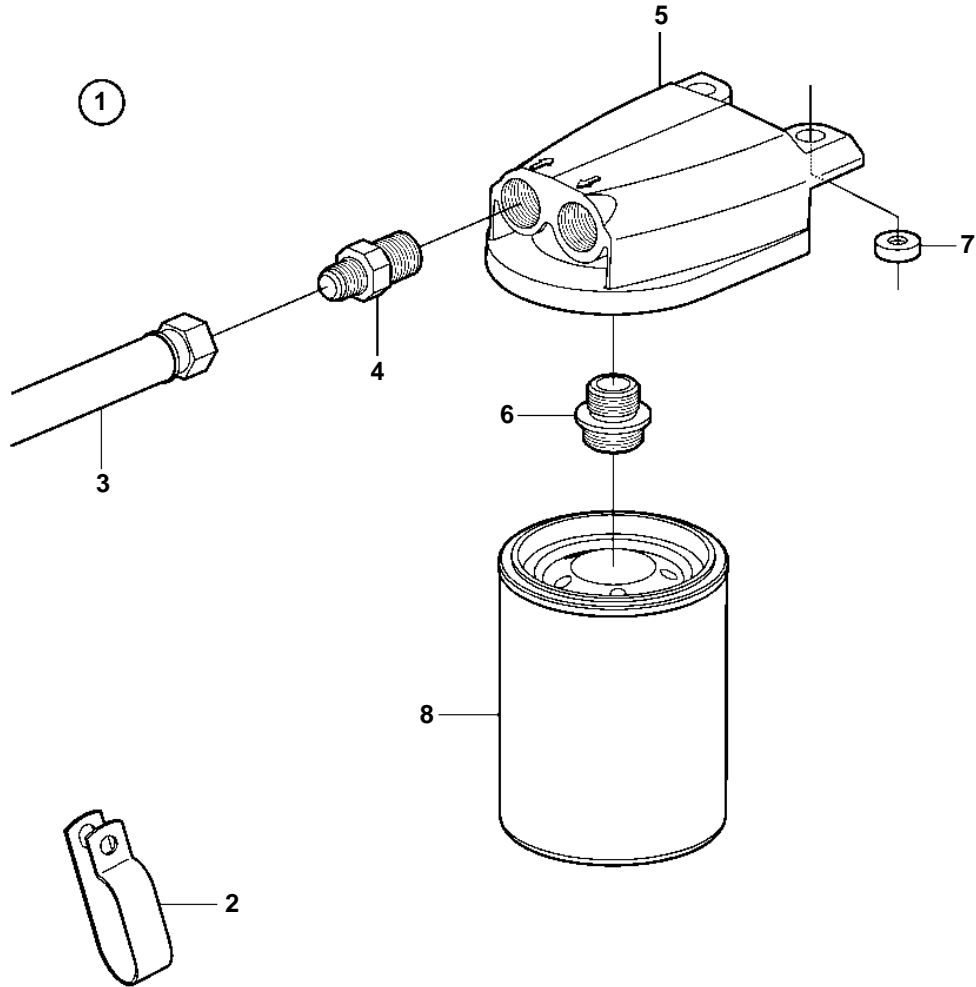


5.0GL-A, 5.0GL-B, 5.0GL-C, 5.0GL-D, 5.0GL-E, 5.7GL-A, 5.7GL-B, 5.7GL-C, 5.7GL-D, 5.7GL-E



5.0GL-A, 5.0GL-B, 5.0GL-C, 5.0GL-D, 5.0GL-E, 5.7GL-A, 5.7GL-B, 5.7GL-C, 5.7GL-D, 5.7GL-E

| REF | PART NO. | QTY | DESCRIPTION | SEE SEC. | NOTES |
|-----|----------|-----|---------------------|-------------|-----------------------------|
| 1 | 3860449 | 1 | Kit | | REMOTE OIL FILTER |
| 2 | 3860075 | 1 | · Clamp | | |
| 3 | 3860054 | 1 | · Hose | | |
| 4 | 3860234 | 2 | · Fitting | | |
| 5 | 3860450 | 1 | · Adapter | | |
| 6 | 3852015 | 1 | · · Connector | | |
| 7 | 930842 | 1 | · Washer | | |
| 8 | 3850559 | 1 | · Oil filter | | |
| | | | · Bulletin P-21-7-1 | P-21-7-1-EN | Oil Filters, GM gas engines |
| 9 | 3860054 | 1 | · Hose | | |
| 10 | 3852470 | 1 | · O-ring | | |
| 11 | 3860060 | 1 | · Adapter | | |
| 12 | 3852089 | 1 | · O-ring | | |
| 13 | 3853495 | 1 | · Retainer | | |