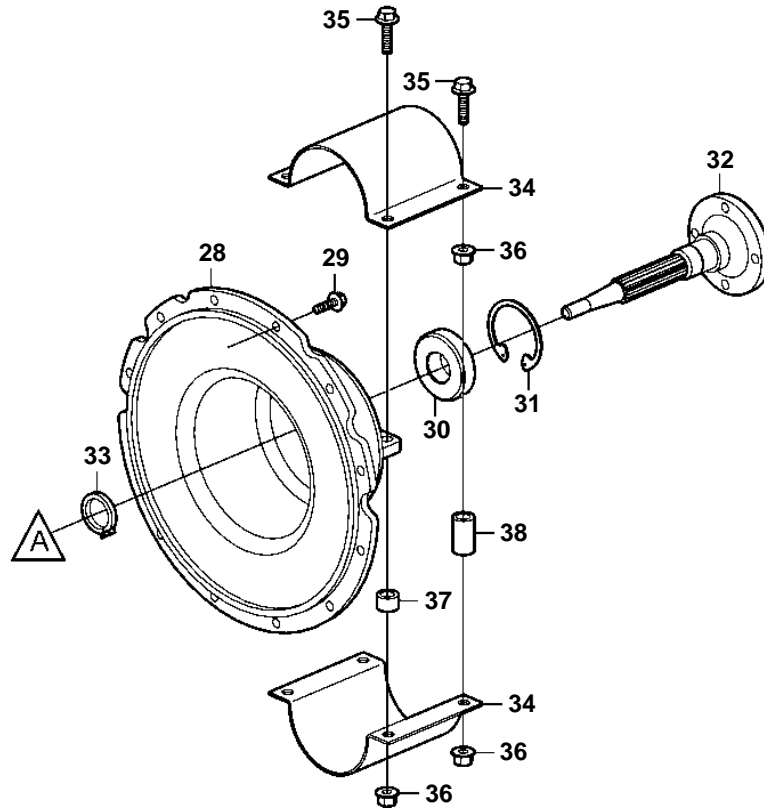
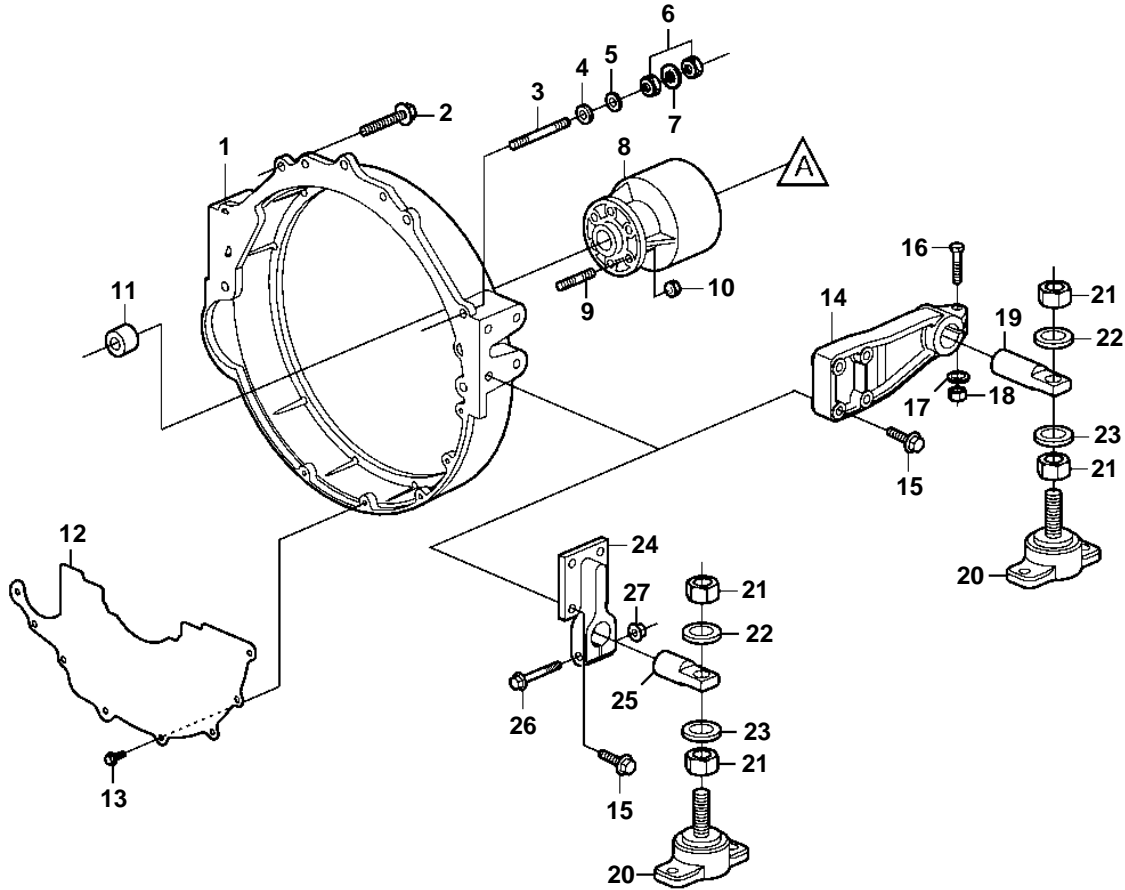


5.0GL-A, 5.0GL-B, 5.0GL-C, 5.0GL-D, 5.0GL-E, 5.7GL-A, 5.7GL-B, 5.7GL-C, 5.7GL-D, 5.7GL-E



19875

5.0GL-A, 5.0GL-B, 5.0GL-C, 5.0GL-D, 5.0GL-E, 5.7GL-A, 5.7GL-B, 5.7GL-C, 5.7GL-D, 5.7GL-E

REF	PART NO.	QTY	DESCRIPTION	NOTES
1	3851722	1	Flywheel housing	
2	3853367	4	Screw	
3	3862494	2	Stud	
4	980933	2	Washer	
5	3852046	2	Lock washer	
6	971074	4	Nut	
7	982679	2	Lock washer	
8	3858437	1	Rubber coupling	
9	3861383	6	Stud	
10	3853273	6	Lock nut	
11	3860697	1	Bushing	
12	3854604	1	Cover	
13	3852421	6	Screw	
14	3851758	2	Bracket	EARLIER PROD
15	965187	8	Screw	
16	955551	2	Screw	
17	941909	2	Spring washer	
18	950355	2	Nut	
19	841247	2	Pin	
20	857251	2	Rubber cushion	
21	955860	4	· Nut	
22	955902	2	Washer	
23	941914	2	Spring washer	
24	3862495	2	Bracket	LATER PROD
25	3862496	2	Pin	
26	965222	2	Screw	
27	971098	2	Flange lock nut	
28	3851727	1	Bearing housing	
29	946752	11	Flange screw	
30	181877	1	Ball bearing	
31	914540	1	Lock ring	
32	3851724	1	Flange	
33	914465	1	Lock ring	
34	3851729	2	Cover	
35	965192	4	Flange screw	L=40mm
	948039	4	Flange screw	L=65mm
36	971099	6	Flange lock nut	EARLIER PROD
	977938	4	Flange lock nut	LATER PROD
37	983740	8	Spacer	L=10mm
38	983741	4	Spacer	L=33mm