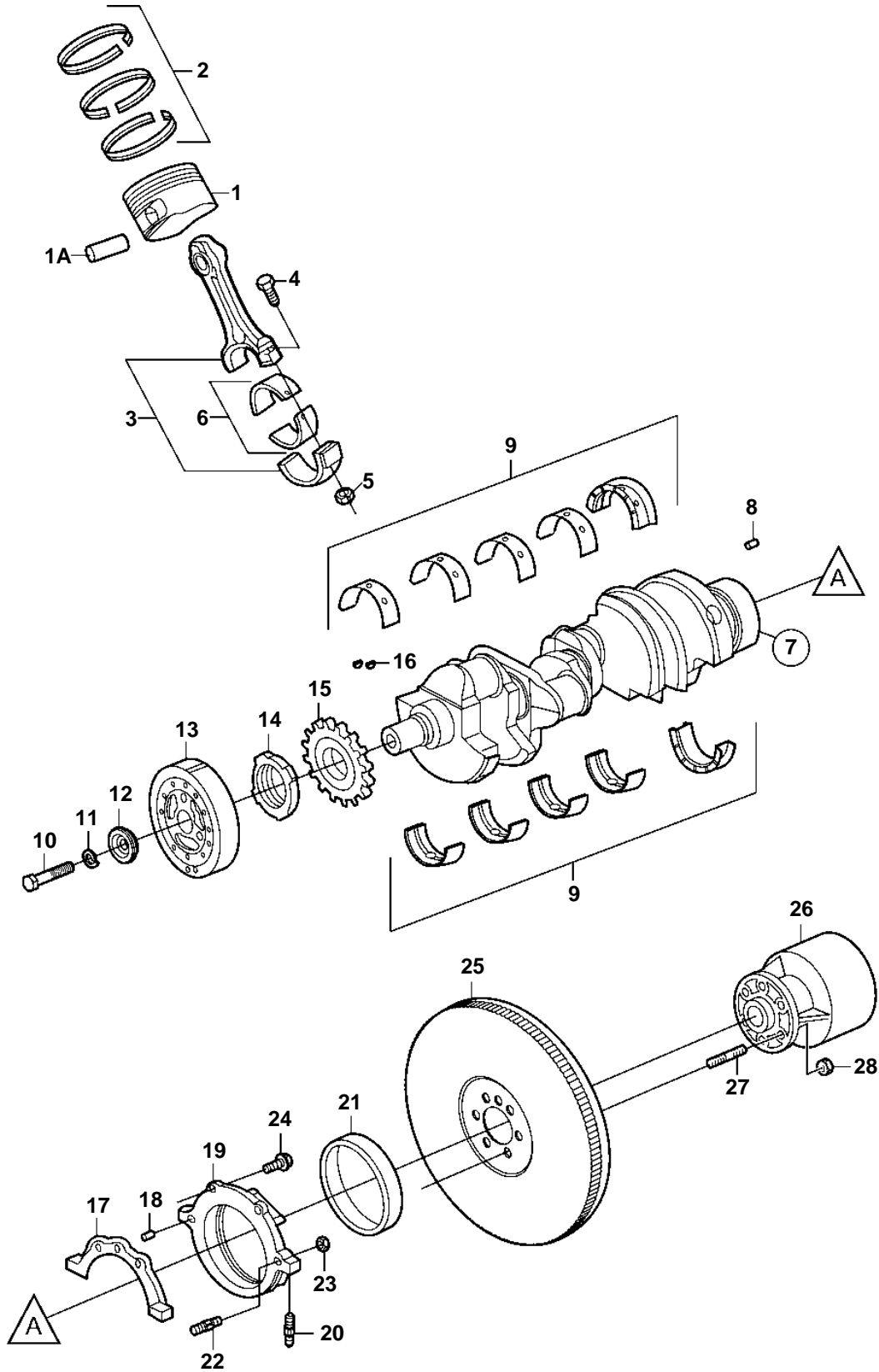


5.0GL-A, 5.0GL-B, 5.0GL-C, 5.0GL-D, 5.0GL-E



5.0GL-A, 5.0GL-B, 5.0GL-C, 5.0GL-D, 5.0GL-E

REF	PART NO.	QTY	DESCRIPTION	NOTES
1	3857667	8	Piston	STD
	3857669	X	Piston	O.S=.030" (0.76mm)
1A		8	· Pin	
2	3857670	8	Piston ring kit	STD
	3857672	X	Piston ring kit	O.S=.030" (0.76mm)
3	3853957	8	Connecting rod	
4	3853162	16	· Screw	
5	3853413	16	· Nut	
6	3853149	8	Big end bearing kit	
7	3856923	1	Crankshaft	
8	3855969	1	· Pin	
9	3862360	1	Main bearing kit	
10	949518	1	Screw	
11	3852046	1	Lock washer	
12	3858177	1	Washer	
13	3862261	1	Vibration damper	
14	3862363	1	Ring	
15	3852690	1	Sprocket	
16	3852663	2	Woodruff key	
17	3852656	1	Gasket	
18	3856140	1	Pin	
19	3856925	1	Housing	
20	3853202	2	· Stud	
21	3856926	1	· Seal	
22	3853205	1	Stud	
23	3853206	1	Nut	
24	3853203	2	Screw	L=.875" (22.2mm)
	3853204	1	Screw	L=1.75" (44.5mm)
25	3853958	1	Flywheel	
	3855970	1	· Gear ring	
26	3858437	1	Rubber coupling	
27	3853274	6	Stud	
28	3853273	6	Lock nut	