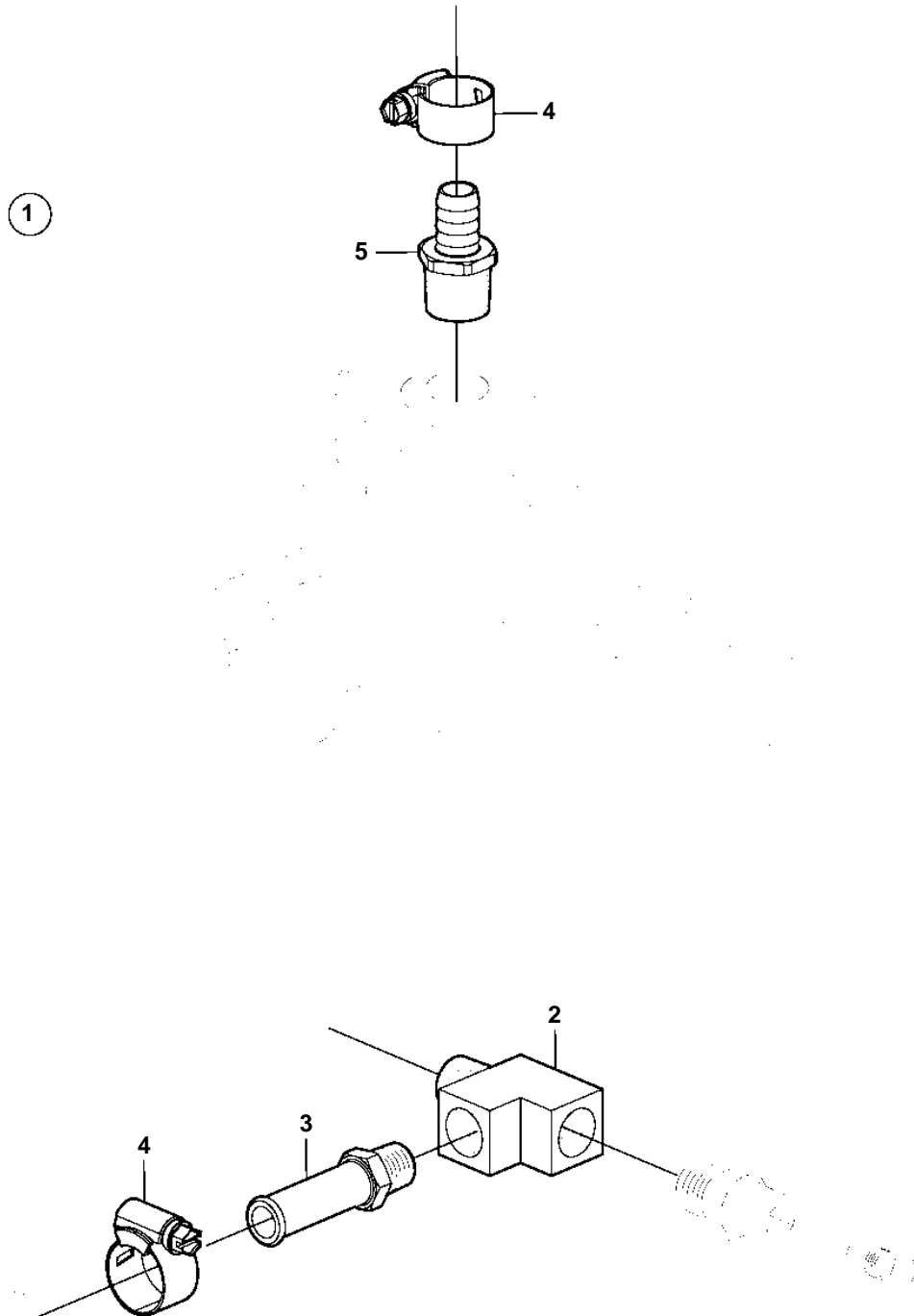


5.0GL-E, 5.7GL-E



5.0GL-E, 5.7GL-E

| REF | PART NO. | QTY | DESCRIPTION |
|-----|----------|-----|------------------|
| 1 | 3818034 | 1 | Hot water outlet |
| 2 | 3841708 | 1 | · Fitting |
| 3 | 856483 | 1 | · Hose nipple |
| 4 | 3863439 | 2 | · Clamp |
| 5 | 3818035 | 1 | · Fitting |