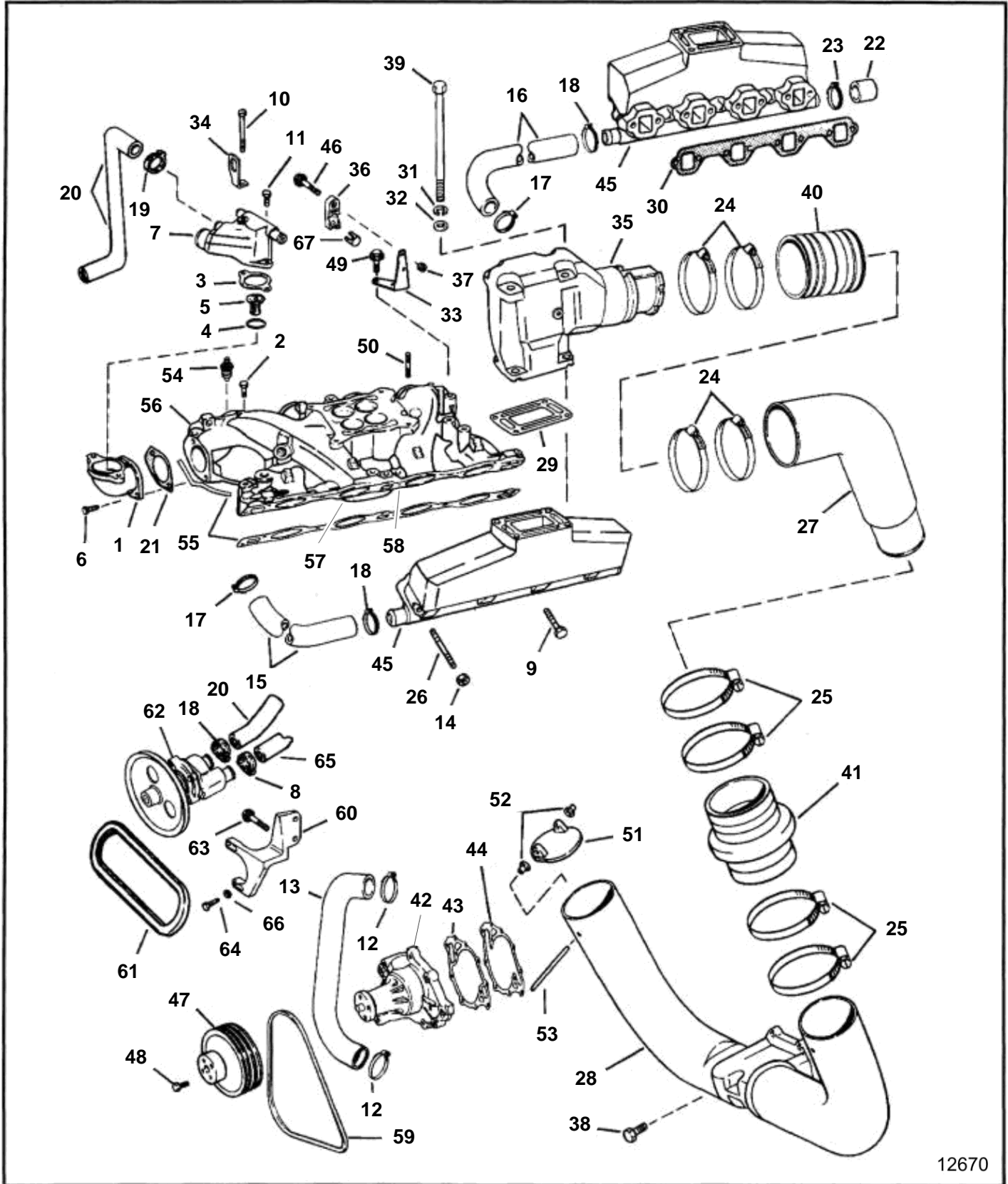


5.8FLINCS, 5.8FLPNCA, 5.8FLPNCM



5.8FLINCS, 5.8FLPNCA, 5.8FLPNCM

REF	PART NO.	QTY	DESCRIPTION	SEE SEC.	NOTES
1	3853245	1	Adapter, Thermostat hsg		
2	3853036	1	Bolt, Intake manifold		
3	3852111	1	Gasket, Thermostat hsg to engine		
4	3852071	1	O-ring, Thermostat		
5	3852216	1	Thermostat, Engine		
6	3853471	2	Screw, Adapter to intake manifold, therm hsg		
7	3850360	1	Housing, Thermostat hsg		
8	3850422	1	Hose clamp, Water pump inlet		
9	3853155	6	Screw, Exhaust manifold		
10	3853391	1	Screw, Lift bracket & thermostat hsg, long		
11	3853401	1	Screw, Thermostat hsg to adapter, short		
12	3852098	2	Hose clamp, Therm hsg to water pump		
13	3852300	1	Hose, Thermostat hsg to water pump		
14	3853404	12	Nut, Exhaust manifold to engine		
15	3853633	1	Hose, Thermostat hsg to exhaust manifold		Port
16	3853420	1	Hose, Thermostat hsg to exhaust manifold		Stbd
17	3853780	2	Hose clamp, To thermostat hsg		
18	3852602	2	Hose clamp, Exhaust manifold		
19	3852602	1	Hose clamp, Thermostat inlet		
20	3855637	1	Hose, Water pump to therm hsg		
21	3852456	1	Gasket, Therm adapter to intake manifold		
22	3852476	2	Cardboard tube, Exhaust manifold		
23	3852602	2	Hose clamp, Cap to exhaust manifold		
24	3852604	4	Hose clamp, Hose, exhaust pipe		
25	3852604	8	Hose clamp, Hose, exhaust pipe upper to lower		
26	3853434	10	Stud, Exhaust manifold to cylinder head		
27	3850213	2	Exhaust pipe, Upper		290 DP
	3853386	2	Exhaust pipe, Exhaust pipe assy to exhaust elbow		SX
28	3855281	1	Exhaust pipe kit		SX
	3851000	1	Exhaust pipe		290 DP
29	3850496	2	Gasket, Elbow to exhaust manifold		
			· Bulletin P-25-1-1	P-25-1-1-EN	Riser Gasket Replaced
30	3852455	2	Gasket, Manifold to engine		
31	3852002	8	Spring washer, Exhaust elbow to manifold		
32	3852058	8	Washer, Exhaust elbow to manifold		
33		1	Bracket, Throttle anchor		
34	3852649	1	Bracket, Center lift		
35	3855270	2	Exhaust pipe, Port & starboard		
			· Bulletin P-25-1-5	P-25-1-5-EN	Riser Extension Kit
36	3850266	1	Anchor, Throttle cable		
37	3852118	1	Nut, Anchor, throttle cable to bracket		
38	3855472	4	Screw, Pipe to gimbal		
39	3852830	8	Screw, Elbow to exhaust manifold		
40	3852696	2	Hose, Exhaust elbow to exhaust pipe		Upper
41	3852741	2	Hose, Upper exhaust pipe to exhaust pipe		
42	3853796	1	Pump		
43		1	· Gasket, Water pump plate		
44	3852824	1	Gasket, Water pump		
45	3852347	2	Exhaust manifold, Exhaust		Port & stbd
46	3852048	1	Screw, Anchor, throttle cable to bracket		
47	3854187	1	Pulley, Water pump		
48	3853390	4	Screw, Water pump pulley to hub		
49	3853428	2	Screw, Bracket, throttle anchor		To intake manifold
50	3853100	4	Stud, Intake manifold		
51		2	Seal, Exhaust pipe		
			· Bulletin P-25-1-2	P-25-1-2-EN	Exhaust Seal Obsolete
52		4	Bushing, Exhaust seal assy to exhaust pipe		
53		2	Pin, Exhaust seal assy to exhaust pipe		
54		1	Tank, Water temp		
		1	Bracket, Water temp, dual station		
55	3853913	1	Intake gasket kit, Intake		
56	3853911	1	Inlet pipe		
57	3854396	1	· Baffle, Intake manifold		

5.8FLINCS, 5.8FLPNCA, 5.8FLPNCM

REF	PART NO.	QTY	DESCRIPTION	SEE SEC.	NOTES
58	3852421	1	• Screw, Baffle, intake manifold		
59	3852106	1	V-belt, Alternator pulley		
60	3855640	1	Bracket, Water pump		
61	973535	1	V-belt, Water pump		
62	3851623	1	Sea water pump		
63	3853326	2	Screw, Water pump bracket to engine		
64	3853397	2	Screw, Water pump to bracket		
65	3852286	1	Hose, Oil cooler to water pump		
66	3852054	2	Washer, Screw, water pump to bracket		
67	3852019	1	Retainer, Throttle cable		