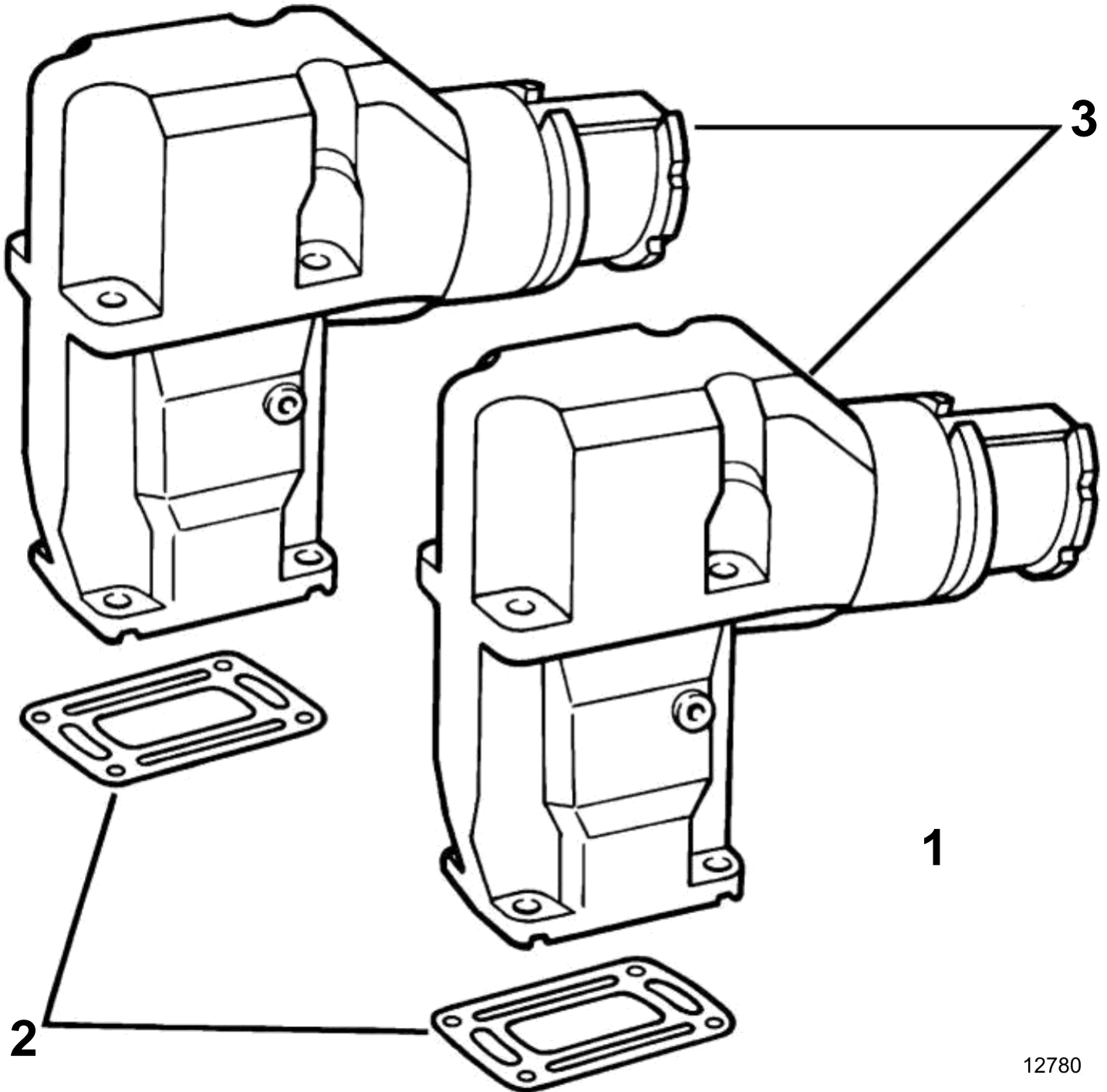


5.8FLINCC, 5.8FLINCS, 5.8FLPNCA, 5.8FLPNCB, 5.8FLPNCM, 5.8FLPNCS



12780

5.8FLINCC, 5.8FLINCS, 5.8FLPNCA, 5.8FLPNCB, 5.8FLPNCM, 5.8FLPNCS

REF	PART NO.	QTY	DESCRIPTION	SEE SEC.	NOTES
1	3850497	1	Manifold		
2	3850496	2	• Gasket		
			• Bulletin P-25-1-1	P-25-1-1-EN	Riser Gasket Replaced
3	3853427	2	• Exhaust riser		