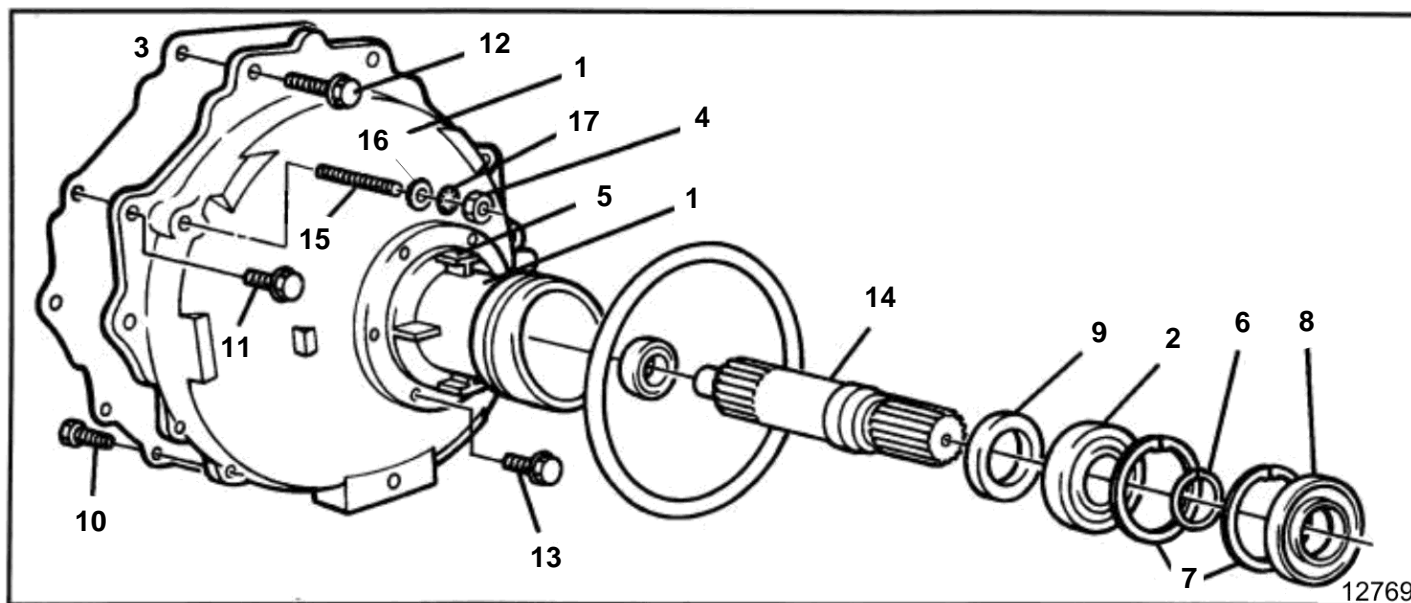


5.8FIPNCBCE, 5.8FIPNCMCE, 5.8FLPNCB, 5.8FLPNCM



**5.8FIPNCBCE, 5.8FIPNCMCE, 5.8FLPNCB, 5.8FLPNCM**

| REF | PART NO. | QTY | DESCRIPTION                         | NOTES                               |
|-----|----------|-----|-------------------------------------|-------------------------------------|
| 1   | 3851963  | 1   | Flywheel housing                    | Replaced by 3856698<br>last version |
|     |          | 1   | Flywheel housing                    |                                     |
| 2   | 3851019  | 1   | Ball bearing, Primary shaft         |                                     |
| 3   | 3853003  | 1   | Cardboard tube                      |                                     |
| 4   | 3852065  | 2   | Nut, Ground stud, flywheel hsg      |                                     |
| 5   | 804262   | 1   | Plug, Bearing Housing               |                                     |
| 6   | 914462   | 1   | Snap ring, Primary shaft            |                                     |
| 7   | 914533   | 2   | Snap ring, Primary shaft            |                                     |
| 8   | 958859   | 1   | Sealing ring, Primary shaft         |                                     |
| 9   | 958860   | 1   | Sealing ring, Primary shaft         |                                     |
| 10  | 3853398  | 2   | Screw, Flywheel cover               |                                     |
| 11  | 3853558  | 2   | Screw, Flywheel hsg to engine       |                                     |
| 12  | 3853626  | 2   | Screw, Flywheel hsg to engine       |                                     |
| 13  | 191844   | 6   | Hexagon screw                       |                                     |
| 14  | 873013   | 1   | Primary shaft                       |                                     |
| 15  | 3852754  | 2   | Stud, Flywheel hsg to engine ground |                                     |
| 16  | 3852058  | 2   | Washer, Ground stud                 |                                     |
| 17  | 3852002  | 2   | Spring washer, Ground stud          |                                     |