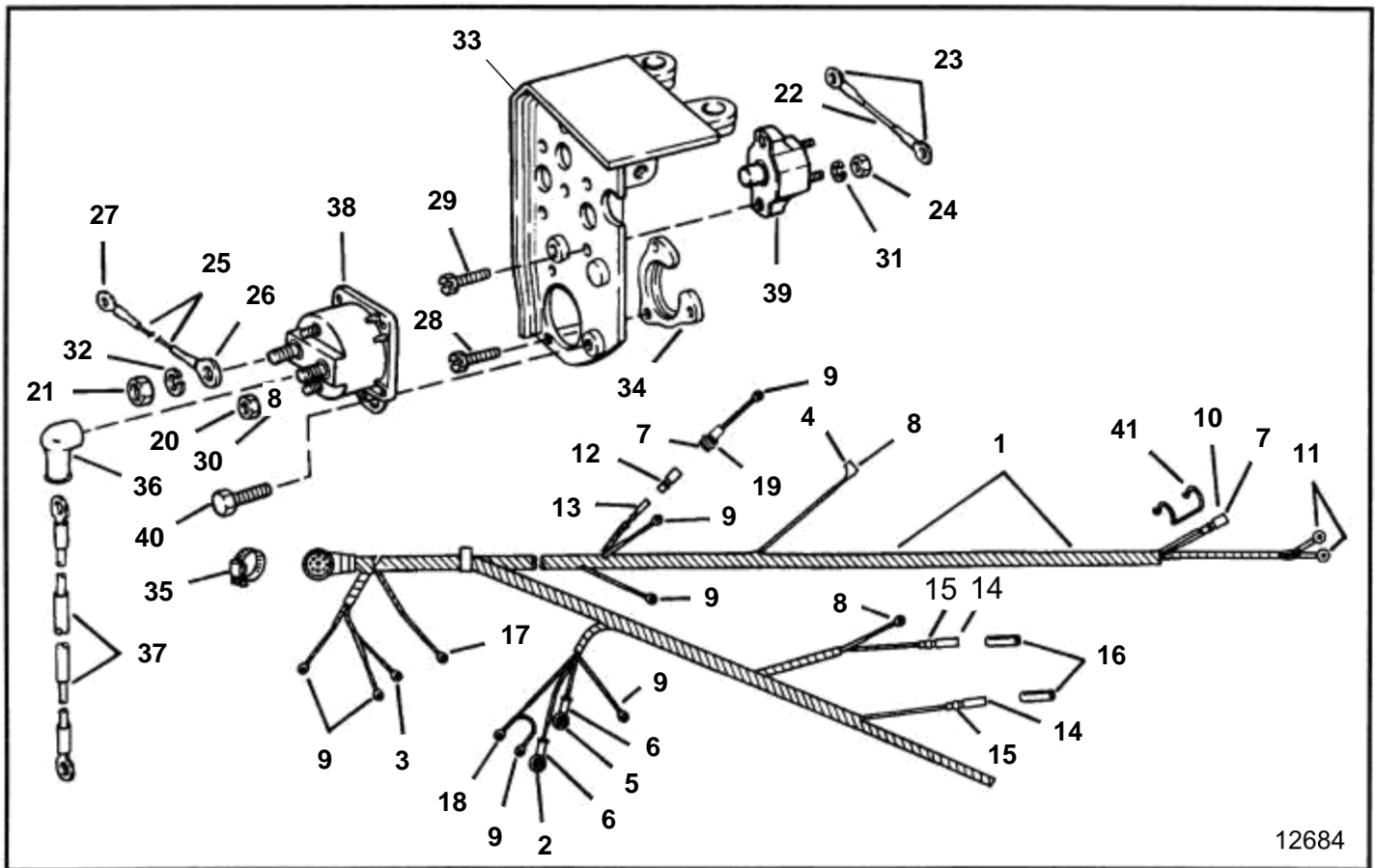


5.8FLINCC, 5.8FLINCS, 5.8FLPNCA, 5.8FLPNCB, 5.8FLPNCM, 5.8FLPNCS



5.8FLINCC, 5.8FLINCS, 5.8FLPNCA, 5.8FLPNCB, 5.8FLPNCM, 5.8FLPNCS

REF	PART NO.	QTY	DESCRIPTION	NOTES
1		1	Wiring harness, Engine	
2	3852233	1	• Terminal, A.C. tap	
3	3852107	1	• Terminal, Bracket ground	
4	3852227	1	• Terminal	
5	3852038	1	• Terminal, 0.25	
6	3852130	2	• Rubber cap	
7	3852229	2	• Terminal, Pin	
8	3853320	2	• Cardboard tube, Terminal	
9	3852233	10	• Terminal	
10	3853565	1	• Connector, 2 pin	
11	3852527	2	• Terminal, Ground	
12		1	• Connector, 1 socket plug	
	3852249	1	• Connector, 2 contact receptacle, SX	
13	3852257	1	• Terminal, Socket	
14	3852244	2	• Terminal, Socket	
15	3852248	1	• Cable sleeve, Socket, blue	
16		1	• Cardboard tube	
17	3852245	1	• Terminal, #10	
18		1	• Terminal, #10	
19	3850991	1	• Connector, 1 pin receptacle	
20	3852064	2	Nut, Assist solenoid	
21	3852042	2	Nut, Leads to start assist solenoid	
22	3853974	1	Cable, Circuit breaker to circuit breaker	
23		2	• Terminal, #10	
24	3852064	4	Nut, Circuit breaker terminals	
25	3853975	1	Cable, Starter solenoid to 50A circuit breaker	
26	3852037	1	• Terminal, Ring, 0.312	
27		1	Terminal, #10	
28	3852208	3	Screw, Retainer	Engine cable end to bracket
29	3853620	2	Hexagon screw, Circuit breaker to bracket	Tilt & trim
	3853620	2	Hexagon screw, Circuit breaker to bracket	Engine
30	3852001	2	Spring washer, Lead to start assist solenoid	
31	3852001	2	Spring washer, Circuit breaker terminal, engine	
	3852001	2	Spring washer, Circuit breaker, terminals	Tilt & trim
32	3852055	2	Spring washer, Leads to start assist solenoid	
33		1	Bracket, Circuit breaker & engine cable	
34	3852825	1	Retainer, Engine cable	
35	3853786	1	Hose clamp, Instrument cable connector	
36	3852487	1	• Trunk, Battery cable	
37	3853939	1	Cable, Starter solenoid	
38	3853839	1	Solenoid, Starter	
39	3854164	1	Automatic fuse, 50A, engine	
	3854164	1	Automatic fuse, 50A, tilt & trim	
40	3852194	2	Screw, Start assist solenoid to bracket	
41	3852237	1	Retainer, Amphenol. trim sender, 2 terminal	