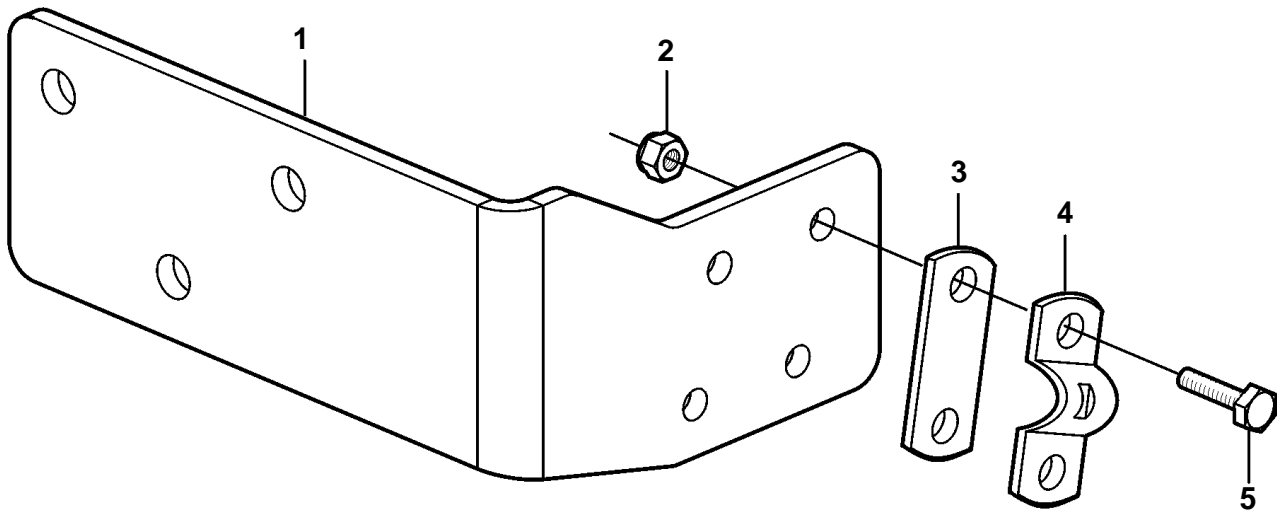
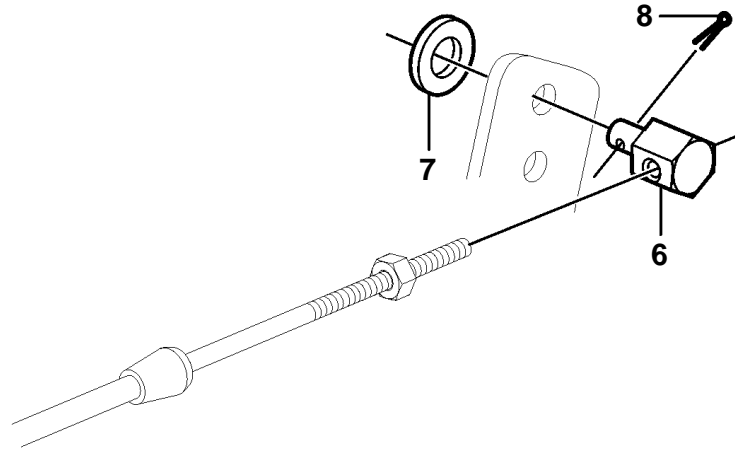


5.7GiI-G, 5.7GXil-H



5.7Gil-G, 5.7GXil-H

REF	PART NO.	QTY	DESCRIPTION
1		1	Bracket
2	949874	2	Flange lock nut
3	819068	1	Washer
4	21471054	1	Bracket
5	955246	2	Hexagon screw
6	3841580	1	Cube
7	3852193	1	Washer
8	3852052	1	Split pin