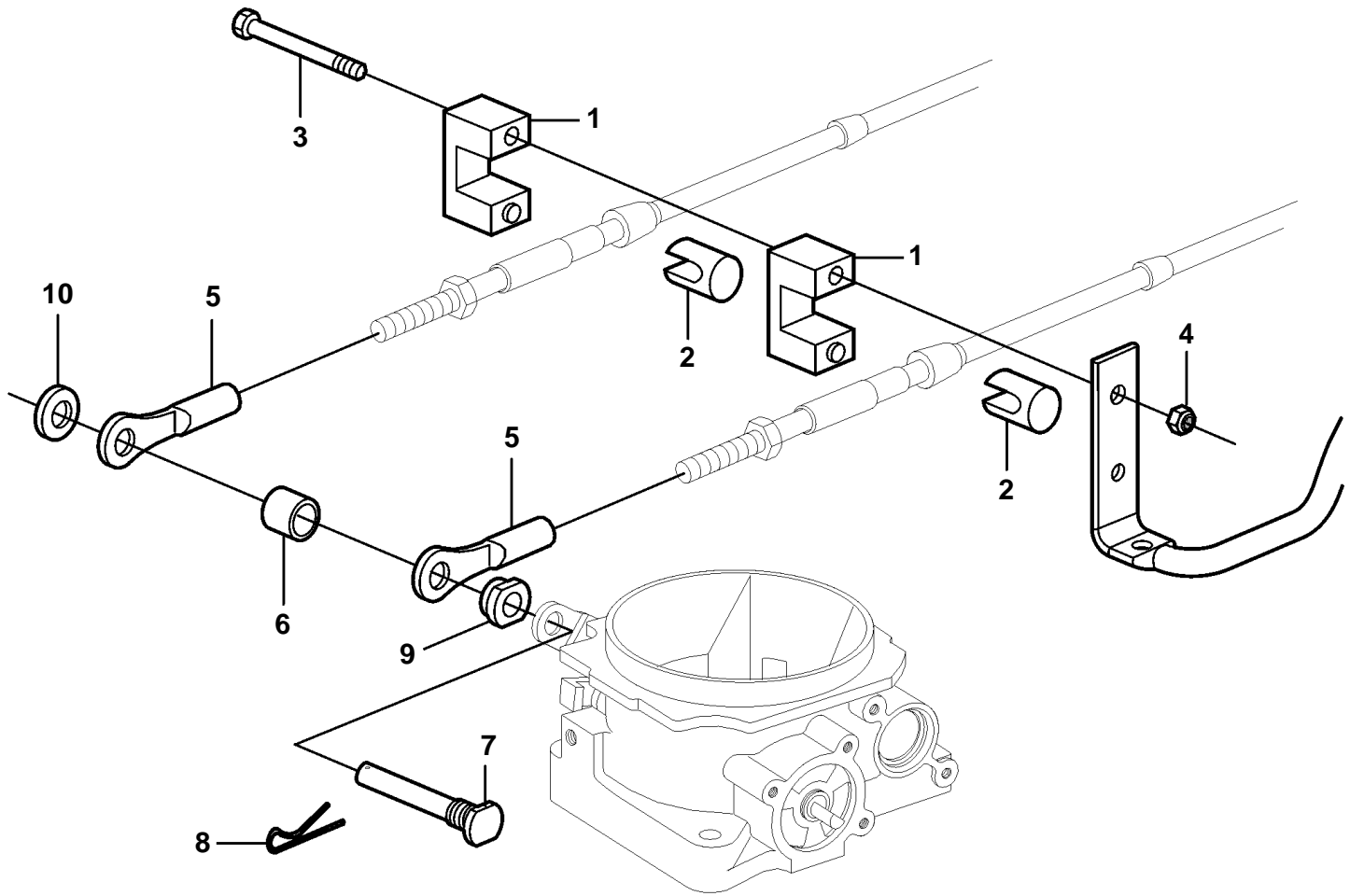


5.7GiI-G, 5.7GXil-H



22597

5.7Gil-G, 5.7GXil-H

| REF | PART NO. | QTY | DESCRIPTION  |
|-----|----------|-----|--------------|
| 1   | 3850266  | 2   | Anchor       |
| 2   | 3852019  | 2   | Retainer     |
| 3   | 983643   | 1   | Flange screw |
| 4   | 963105   | 1   | Lock nut     |
| 5   | 3850941  | 2   | Adapter      |
| 6   | 3589840  | 1   | Spacer       |
| 7   | 3589648  | 1   | Pin          |
| 8   | 3852052  | 2   | Split pin    |
| 9   | 3852004  | 1   | Nut          |
| 10  | 3852193  | 1   | Washer       |