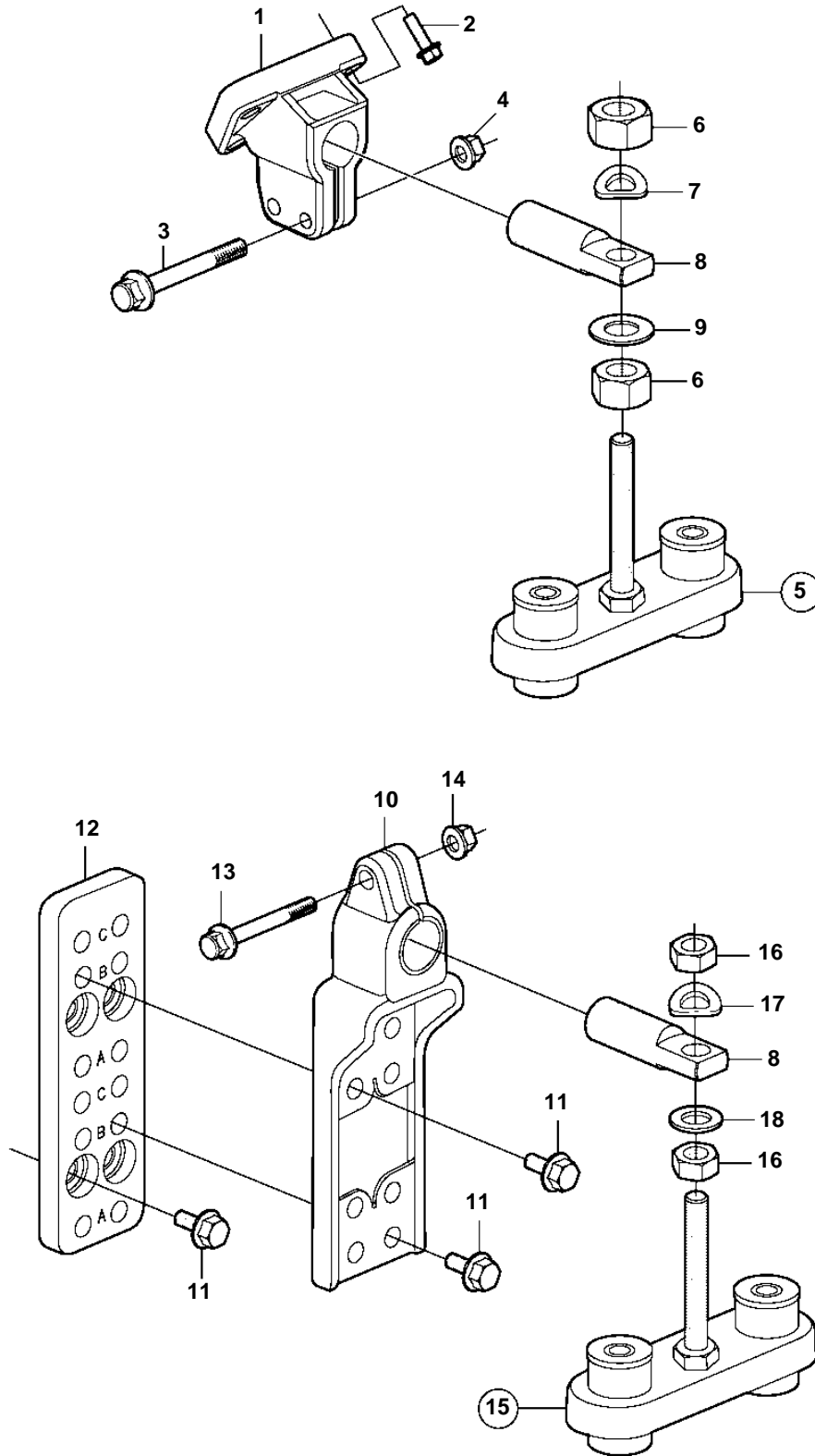


5.7GiI-G, 5.7GXil-H



23420

5.7GiI-G, 5.7GXil-H

REF	PART NO.	QTY	DESCRIPTION
1		2	Bracket
2	3860582	6	Screw
3	3855595	4	Screw
4	946175	4	Flange nut
5	3807621	2	Anchorage
6	955860	4	Hexagon nut
7	941914	2	Spring washer
8	3863365	4	Pin
9	3857588	2	Washer
10		2	Bracket
11	965191	16	Flange screw
12		2	Bracket
13	3855595	2	Screw
14	946175	2	Flange nut
15	3807621	2	Anchorage
16	955860	4	Hexagon nut
17	941914	2	Spring washer
18	3857588	2	Washer