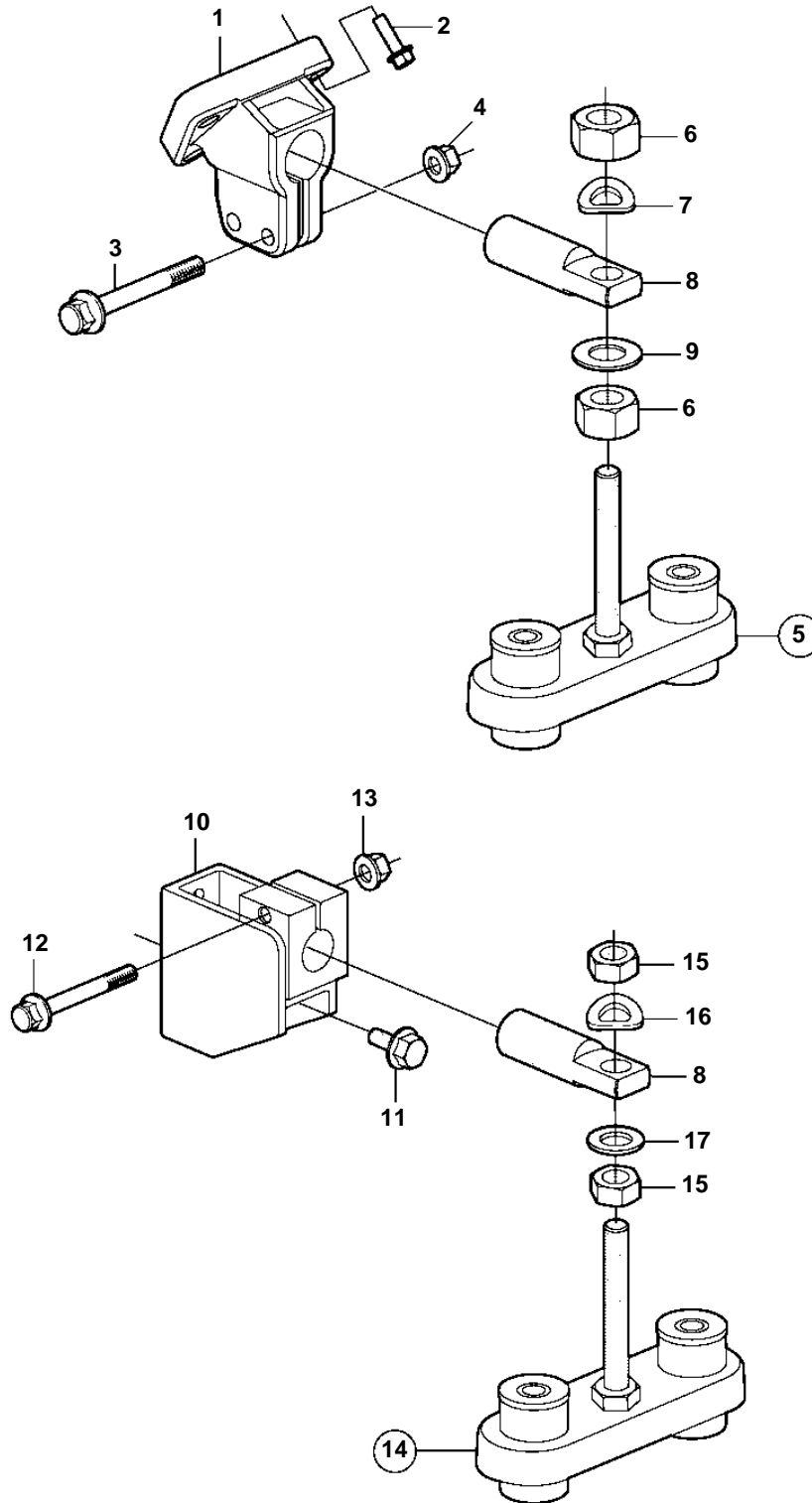


5.7GiI-G, 5.7GXil-H



23419

5.7GiI-G, 5.7GXil-H

REF	PART NO.	QTY	DESCRIPTION
1		2	Bracket
2	3860582	6	Screw
3	3855595	4	Screw
4	946175	4	Flange nut
5	3807621	2	Anchorage
6	955860	4	Hexagon nut
7	941914	2	Spring washer
8	3863365	4	Pin
9	3857588	2	Washer
10	3858534	2	Engine mountings
11	965191	8	Flange screw
12	3855595	2	Screw
13	946175	2	Flange nut
14	3807621	2	Anchorage
15	955860	4	Hexagon nut
16	941914	2	Spring washer
17	3857588	2	Washer