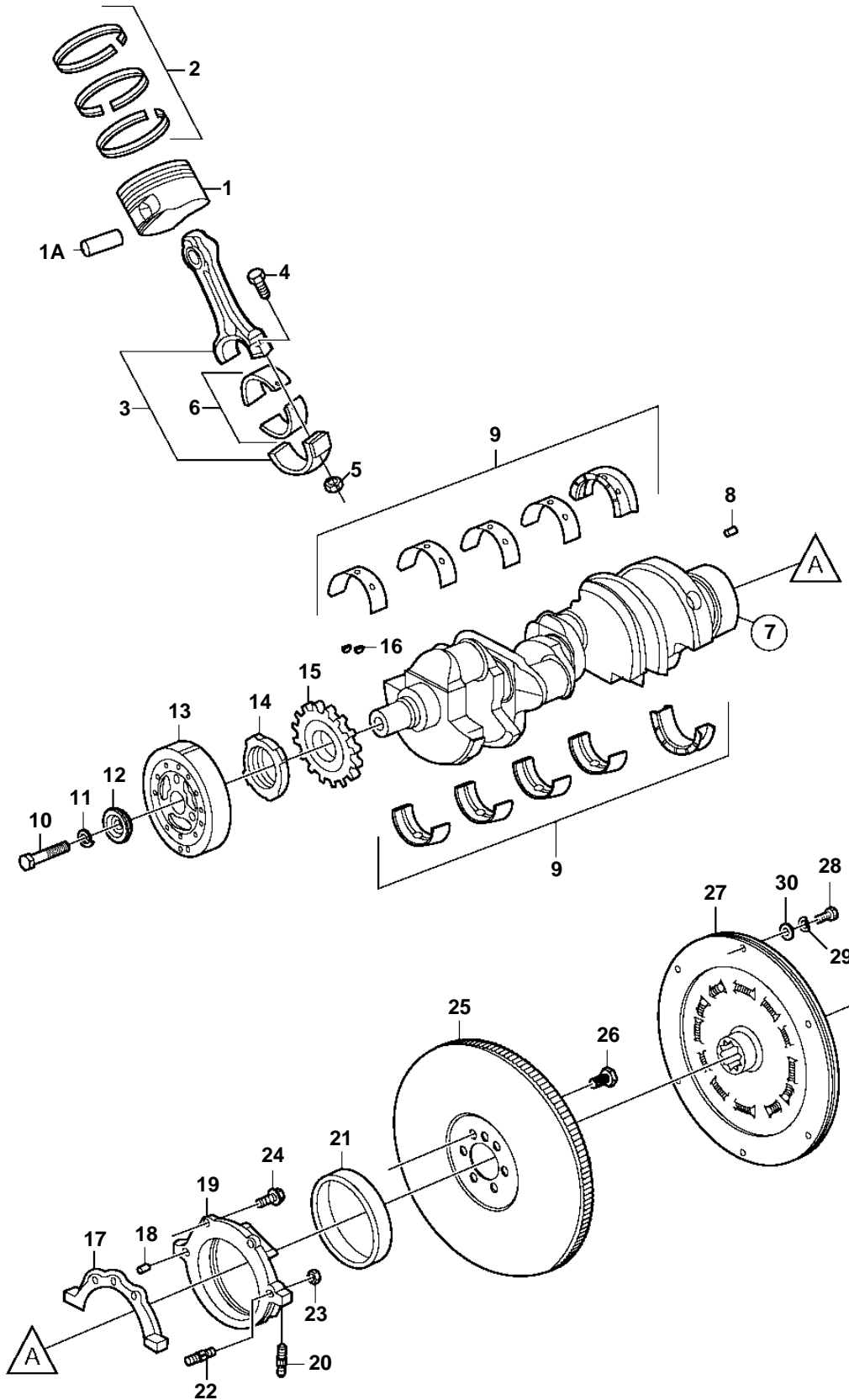


5.7GiI-G, 5.7GXil-H



23416

5.7Giil-G, 5.7GXil-H

| REF | PART NO. | QTY | DESCRIPTION | NOTES |
|-----|----------|-----|------------------|------------------|
| 1 | 3855742 | 8 | Piston | Std |
| | 3855743 | X | Piston | O.S=0.50mm |
| 1A | | 8 | · Pin | |
| 2 | 3855740 | 8 | Piston ring | Std |
| | 3855741 | X | Piston ring | O.S=0.50mm |
| 3 | 3853957 | 8 | Connecting rod | |
| 4 | 3853162 | 16 | · Bolt | |
| 5 | 3853413 | 16 | · Nut | |
| 6 | 3853149 | 8 | Bearing | |
| 7 | 3856923 | 1 | Crankshaft | |
| 8 | 3855969 | 1 | · Pin | |
| 9 | 3862360 | 1 | Bearing kit | |
| 10 | 949518 | 1 | Hexagon screw | |
| 11 | 3852046 | 1 | Spring washer | |
| 12 | 3858177 | 1 | Washer | |
| 13 | 3862261 | 1 | Vibration damper | |
| 14 | 3862363 | 1 | Ring | |
| 15 | 3852690 | 1 | Sprocket | |
| 16 | 3852663 | 2 | Woodruff key | |
| 17 | 3852656 | 1 | Gasket | |
| 18 | 3856140 | 1 | Pin | |
| 19 | 3856925 | 1 | Housing | |
| 20 | 3853202 | 2 | · Stud | |
| 21 | 3856926 | 1 | · Sealing | |
| 22 | 3853205 | 1 | Stud | |
| 23 | 3853206 | 1 | Nut | |
| 24 | 3853203 | 2 | Bolt | L=.875" (22.2mm) |
| | 3853204 | 1 | Bolt | L=1.75" (44.5mm) |
| 25 | 855833 | 1 | Flywheel | |
| | 3855970 | 1 | · Gear | |
| 26 | 3856130 | 6 | Bolt | |
| 27 | 3884460 | 1 | Flexplate | |
| 28 | 835482 | 6 | Screw | |
| 29 | 942336 | 6 | Spring washer | |
| 30 | 980933 | 6 | Washer | |