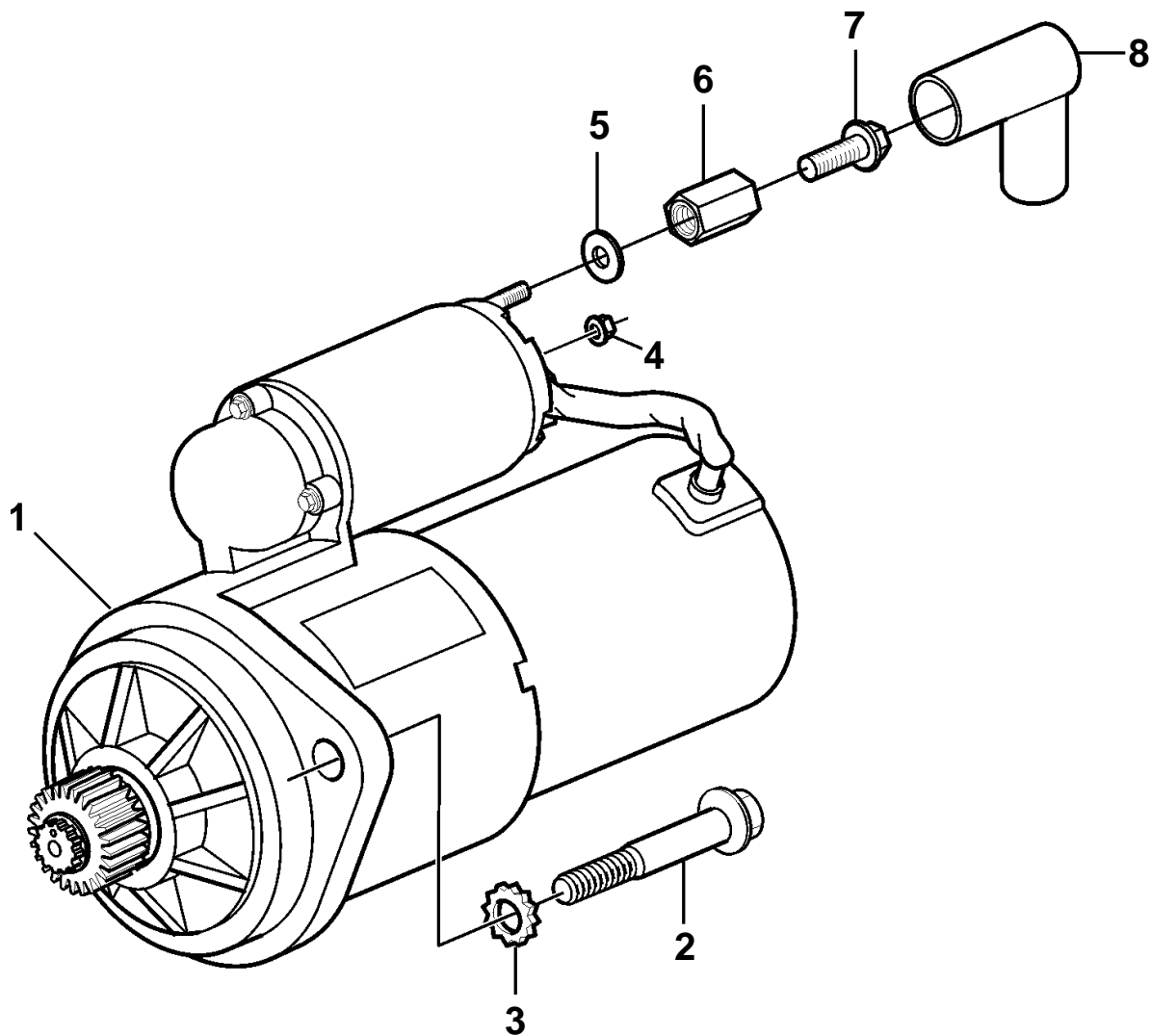


5.7GiI-G, 5.7GXil-H



**5.7Gil-G, 5.7GXil-H**

REF	PART NO.	QTY	DESCRIPTION
1	3862985	1	Starter motor
	3803147	1	Starter motor, exch, exch
2	3853558	2	Screw
3	982679	2	Toothed washer
4	949874	1	Flange lock nut
5	3852054	1	Washer
6	855314	1	Nut
7	947107	1	Flange screw
8	855798	1	Protecting sleeve