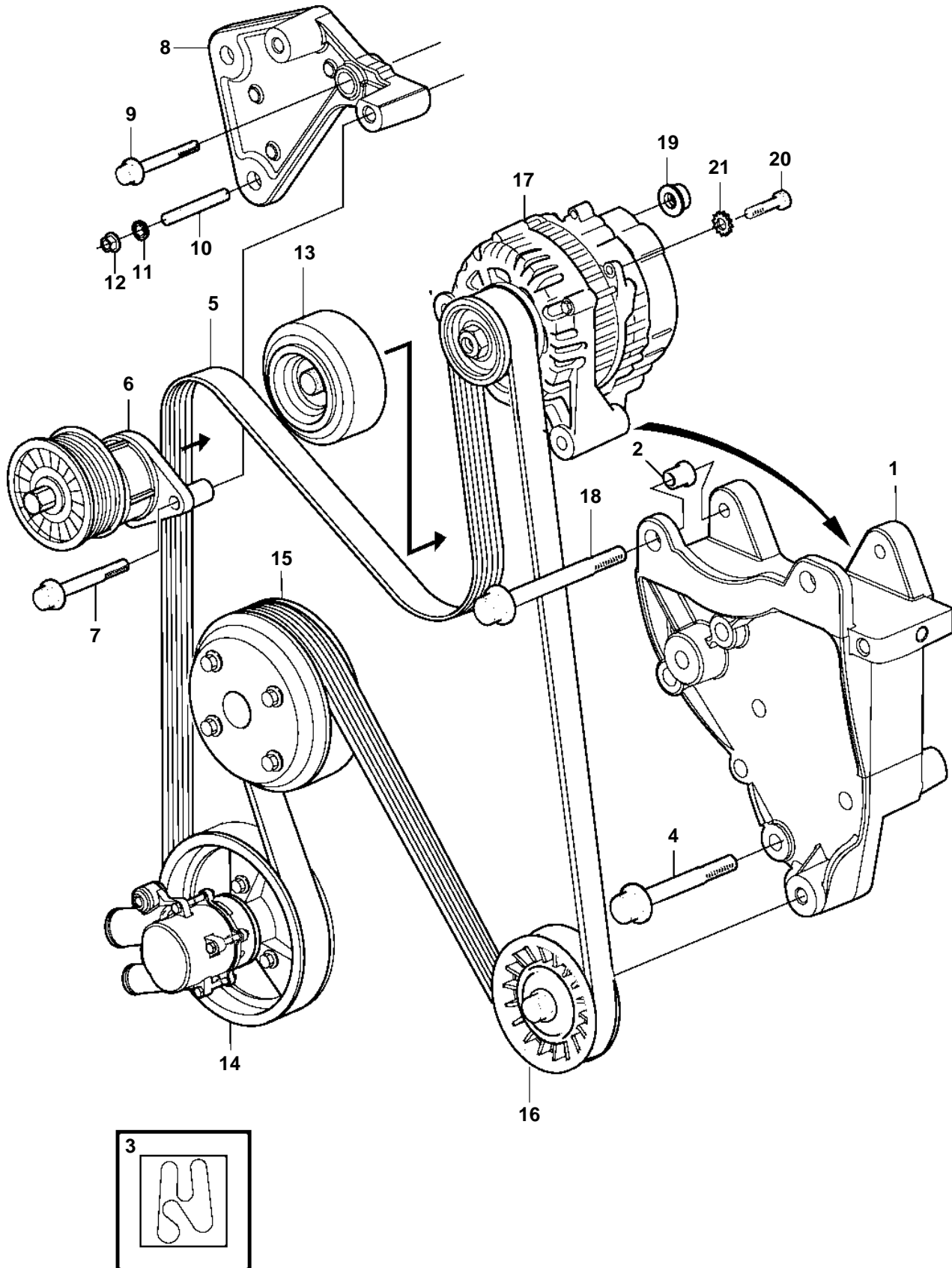


5.7GiI-G, 5.7GXii-H



## 5.7GiI-G, 5.7GXil-H

REF	PART NO.	QTY	DESCRIPTION
1	3819031	1	Bracket
2	3863175	2	· Bushing
3	3863274	1	Decal
4	3860281	3	Screw
5	3889125	1	Belt
6	3885250	1	Belt tensioner
7	3841928	2	Screw
8	3817292	1	Bracket
9	3841928	1	Screw
10	3860286	2	Stud
11	3860538	2	Nut, speed
12	3853404	2	Nut
13	3861009	1	Pulley
14		1	Pump, sea water
15		1	Pulley, circulation pump
16	3860201	1	Idler pulley
17	3884950	1	Alternator
18	947790	2	Flange screw
19	945408	1	Flange nut
20	3852208	1	Screw
21	3852520	1	Washer