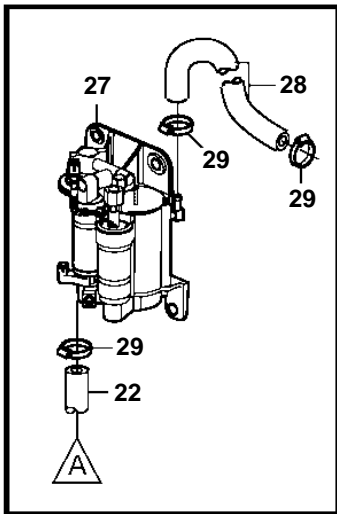
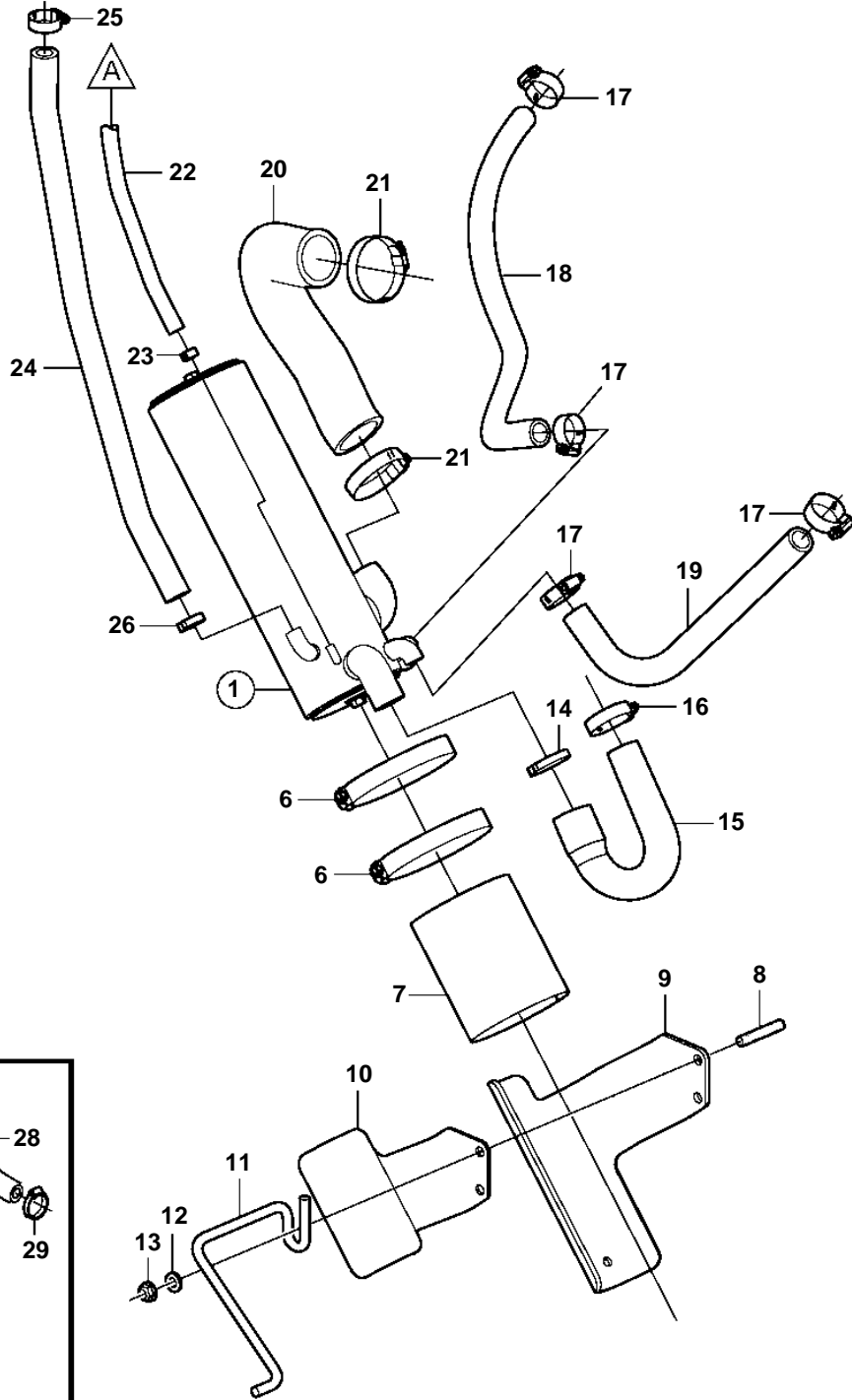
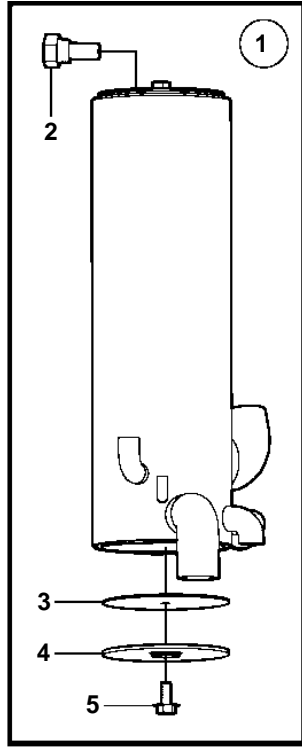


5.7GiI-F, 5.7GXil-G



5.7Giil-F, 5.7GXil-G

| REF | PART NO. | QTY | DESCRIPTION | NOTES |
|-----|----------|-----|-----------------|------------------|
| 1 | 3861471 | 1 | Heat exchanger | |
| 2 | 3858995 | 1 | · Anode | |
| 3 | 3858993 | 2 | · Gasket | |
| 4 | 3858992 | 2 | · Cover | |
| 5 | 3858994 | 2 | · Screw | |
| 6 | 3863443 | 2 | Clamp | |
| 7 | 3861453 | 1 | Rubber gasket | |
| 8 | 941814 | 2 | Stud | |
| 9 | 3842368 | 1 | Bracket | |
| 10 | 3842369 | 1 | Bracket | |
| 11 | 3817688 | 1 | Bracket | |
| 12 | 980933 | 2 | Washer | |
| 13 | 3857181 | 2 | Flange lock nut | |
| 14 | 982717 | 1 | Clamp | |
| 15 | 3817818 | 1 | Hose | |
| 16 | 3863440 | 1 | Clamp | |
| 17 | 3812303 | 4 | Clamp | |
| 18 | 3860588 | 1 | Hose | S.B EXH MANIFOLD |
| 19 | 3860587 | 1 | Hose | P EXH MANIFOLD |
| 20 | 3861472 | 1 | Hose | |
| 21 | 3863438 | 2 | Clamp | |
| 22 | 3861678 | 1 | Hose | FUEL PUMP |
| 23 | 982643 | 1 | Clamp | |
| 24 | 3863069 | 1 | Hose | EXPANSION TANK |
| 25 | 3812303 | 1 | Clamp | |
| 26 | 982967 | 1 | Clamp | |
| 27 | | 1 | Fuel pump | |
| 28 | 3862550 | 1 | Hose | |
| 29 | 3860413 | 3 | Clamp | |