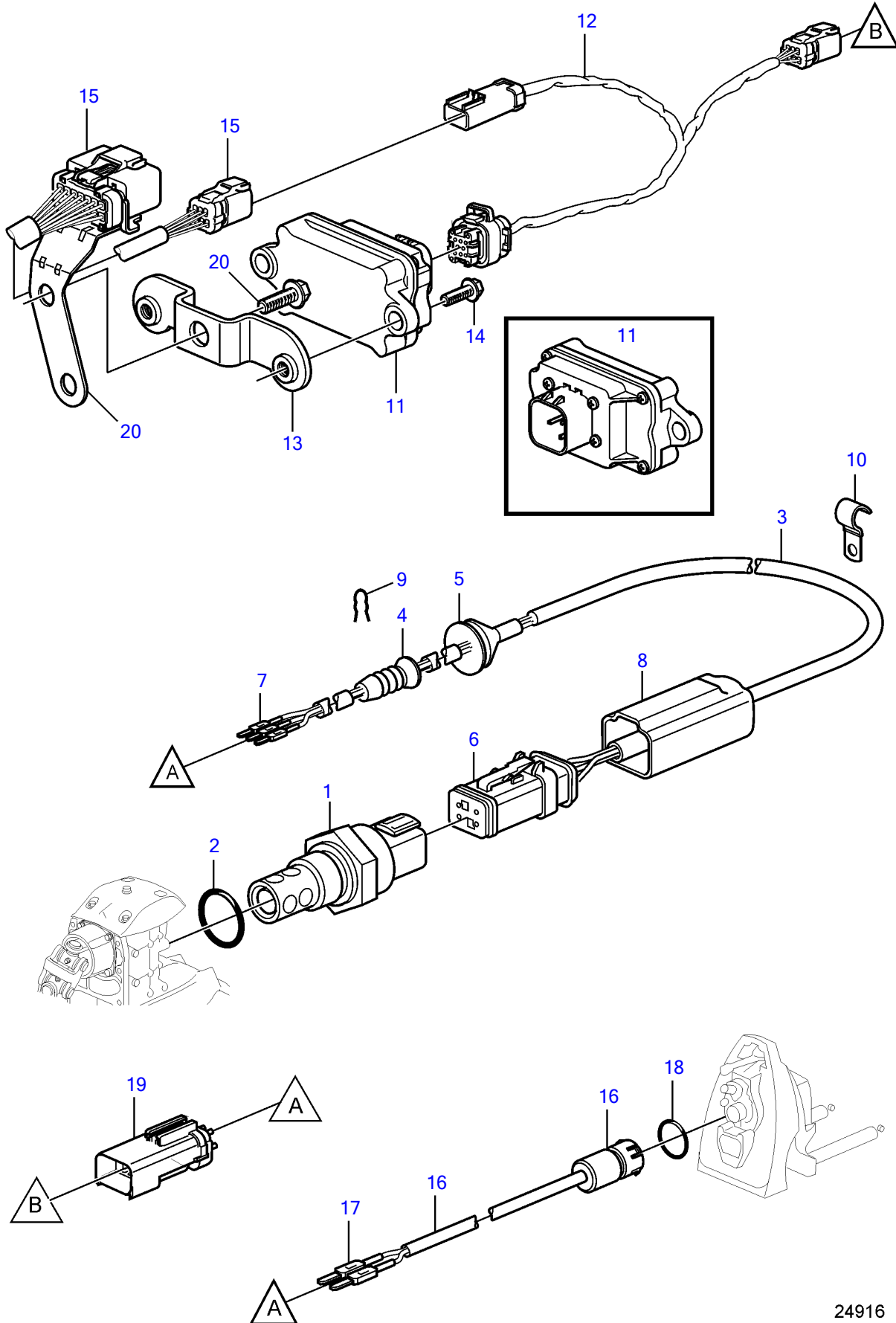


5.7GiE-300-R, 5.7GXIE-320-R



5.7GiE-300-R, 5.7GXIE-320-R

REF	PART NO.	QTY	DESCRIPTION	NOTES
1	21174634	1	Sensor	WID- water in drive oil
2		1	• O-ring	not sold separately
3	21124251	1	Wiring harness	
4		1	• Plug	not sold separately
5		1	• Grommet	not sold separately
6		1	• Connector housing	
		1	• • Seal	not sold separately
7		3	• Terminal	not sold separately
8		1	• Boot	not sold separately
9	3852555	1	Retainer	
10	21174636	6	Attaching clamp	
11	21206915	1	Module	
12	21206919	1	Wiring harness	
		3	• Connector housing	not sold separately
		X	• Terminal	not sold separately
13	21210873	1	Bracket	
14	946544	2	Flange screw	
15		X	Cable harness, engine	
16	21292836	1	Sensor	WIB - water in bellows
		1	• Housing	not sold separately
17		2	• Terminal	not sold separately
18	3852033	1	• O-ring	
19		1	Connector housing	
20		X		See engine catalog, "Engine Harness" section