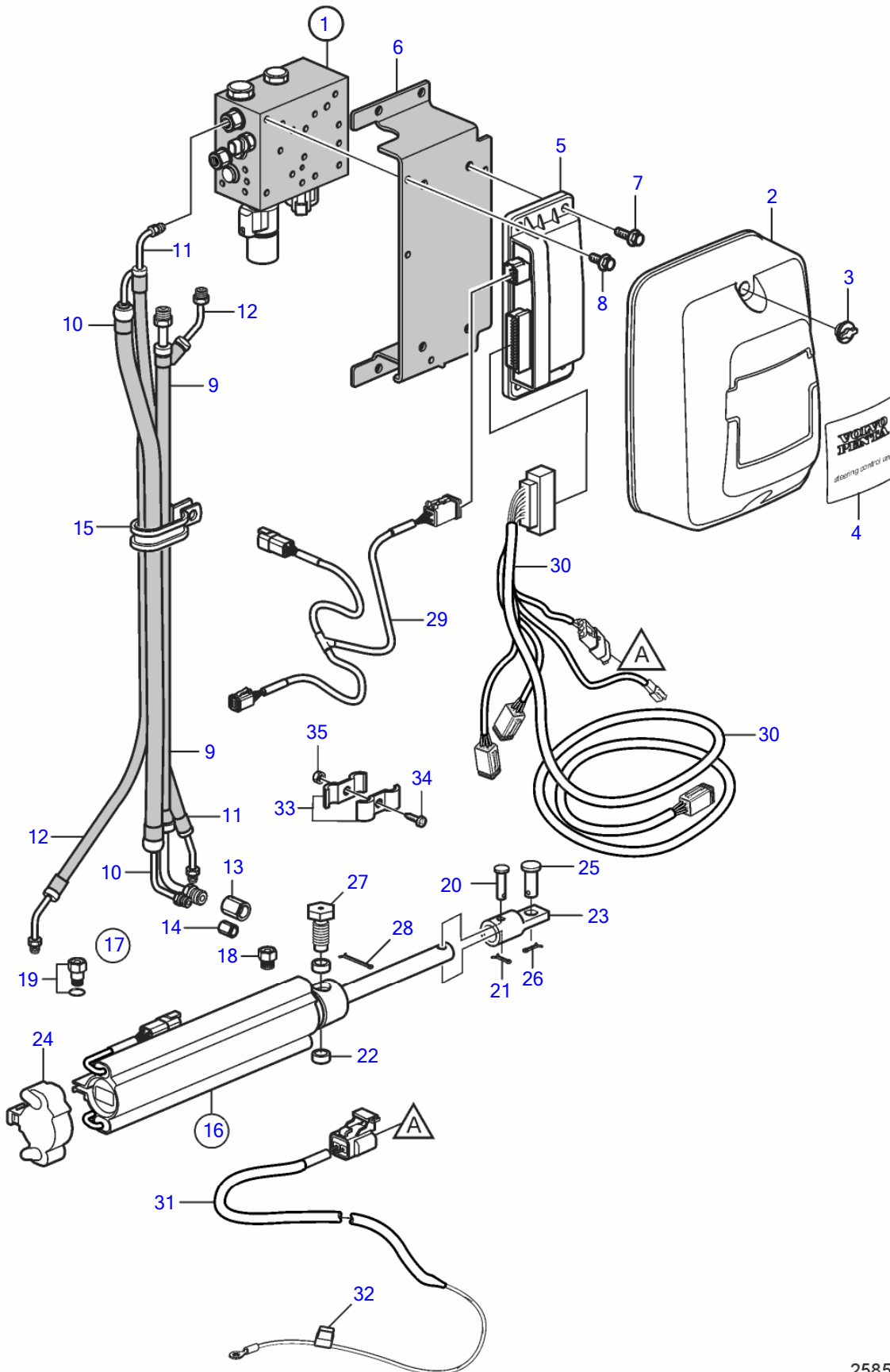


5.7GiE-300-R, 5.7GXIE-320-R



25851

## 5.7GiE-300-R, 5.7GXIE-320-R

| REF | PART NO.  | QTY | DESCRIPTION        | SEE SEC. | NOTES   |
|-----|-----------|-----|--------------------|----------|---|
| 1   |           | X   |                    |          | Shaded parts show changes from earlier design.                                      |
|     | 21445595  | 1   | Valve              | 38369    | second design, introduced Jan. 2011, ser. no. A155443 and higher                    |
| 2   | 21198760  | 1   | Cover              |          |   |
| 3   | 3841608   | 2   | Wing nut           |          |   |
| 4   | 21199454  | 1   | Decal              |          |   |
| 5   | 21469067  | 1   | Control unit       |          | SCU   |
|     | 3809286   | 1   | Software           |          | Warehouse programming. This p/n can not be ordered, but will be used for invoicing. |
|     | 3809285   | 1   | Software           |          | Vodia-programming. This p/n can not be ordered, but will be used for invoicing.     |
| 6   | 21453160  | 1   | Bracket            |          | changed from earlier design   |
| 7   | 21280607  | 4   | Flange screw       |          |   |
| 8   | 946544    | 3   | Flange screw       |          |   |
| 9   | 21438496  | 1   | Hose, return       |          | changed from earlier design   |
| 10  | 21438494  | 1   | Hose, pressure     |          | changed from earlier design   |
| 11  | 21438492  | 1   | Hose, starboard    |          | changed from earlier design   |
| 12  | 21438490  | 1   | Hose, port         |          | changed from earlier design   |
| 13  | 984379    | 1   | Nipple             |          |   |
| 14  | 984378    | 1   | Nipple             |          |   |
| 15  | (3852837) | 2   | Clamp              |          | Obsolete part, part not sold  |
| 16  | 21243557  | 1   | Steering cylinder  |          |   |
|     |           | 4   | • Sensor, position |          | not sold separately   |
| 17  | 21298577  | 1   | • Kit, fittings    |          |   |
| 18  |           | 1   | • • Fitting        |          | ¼" NPT, not sold separately   |
| 19  |           | 1   | • • Fitting        |          | ORB-M, not sold separately  |
|     |           | 1   | • • O-ring         |          | not sold separately   |
| 20  |           | 1   | • Clevis pin       |          | not sold separately   |
| 21  |           | 1   | • Cotter pin       |          | not sold separately   |
| 22  |           | 2   | • Bushing          |          | not sold separately   |
| 23  |           | 1   | • Cable attachment |          | not sold separately   |
| 24  | 21277346  | 1   | Cardboard tube     |          |   |
| 25  | 21234062  | 1   | Clevis pin         |          |   |
| 26  | 967707    | 1   | Split pin          |          |   |
| 27  | 3850931   | 2   | Screw              |          |   |
| 28  | 3853376   | 2   | Split pin          |          |   |
| 29  | 3588972   | 1   | Cable kit, t       |          |   |
| 30  | 21292450  | 1   | Wiring harness     |          | SCU   |
| 31  | 21292472  | 1   | Wiring harness     |          | Power   |
| 32  |           | 1   | • Fuse             |          | 10A   |
| 33  | 984329    | 2   | Clamp              |          |   |
| 34  | 963675    | 1   | Hex. socket screw  |          |   |
| 35  | 944456    | 1   | Hexagon nut        |          |   |