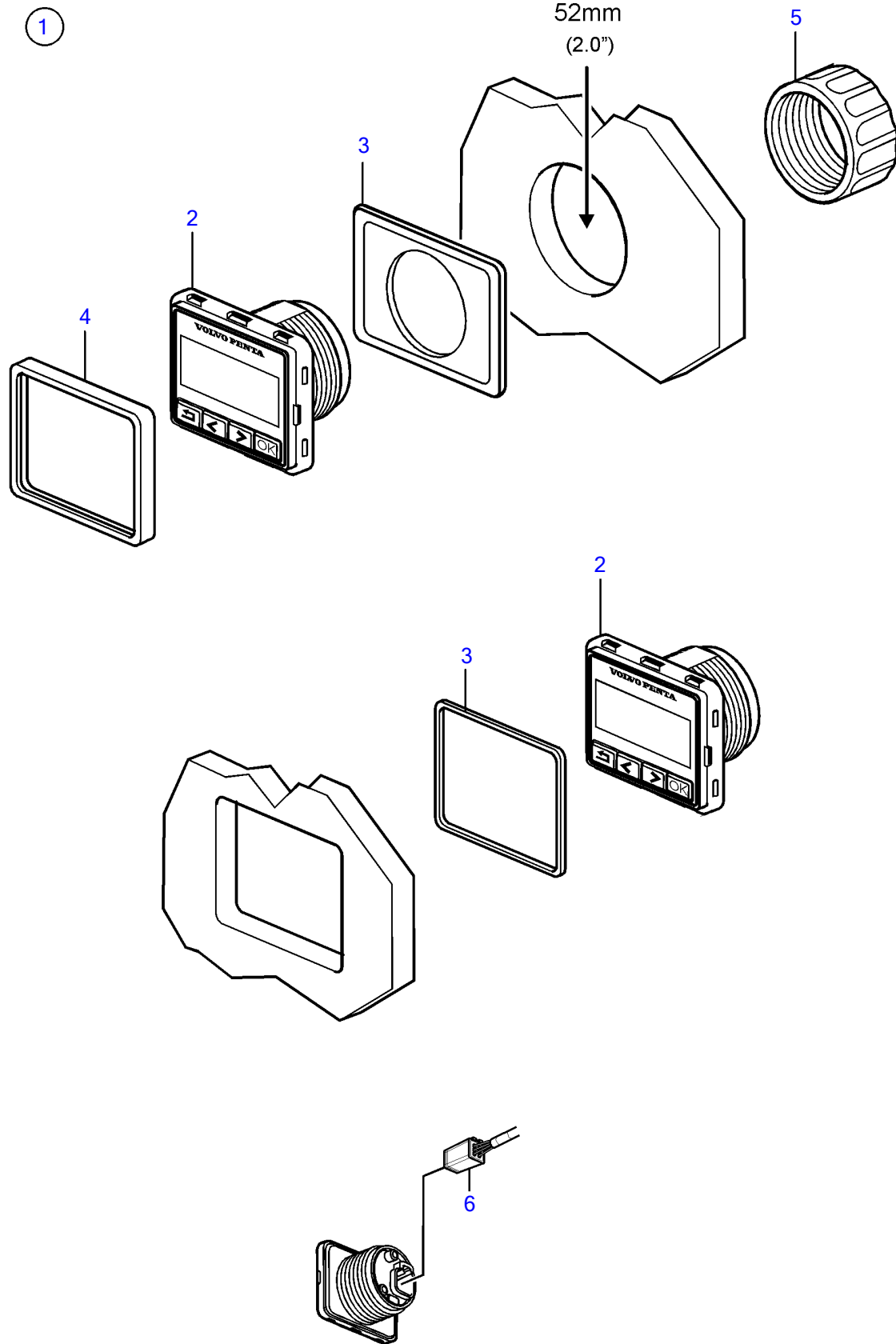


5.7GiE-300-R, 5.7GXIE-320-R



5.7GiE-300-R, 5.7GXIE-320-R

REF	PART NO.	QTY	DESCRIPTION
1	21761718	1	Display
	21761718		Display
2		1	▪ Display
3	3808135	1	▪ Gasket
4	21467057	1	▪ Frame
5	874450	1	▪ Attaching ring
6		1	Cable, multilink