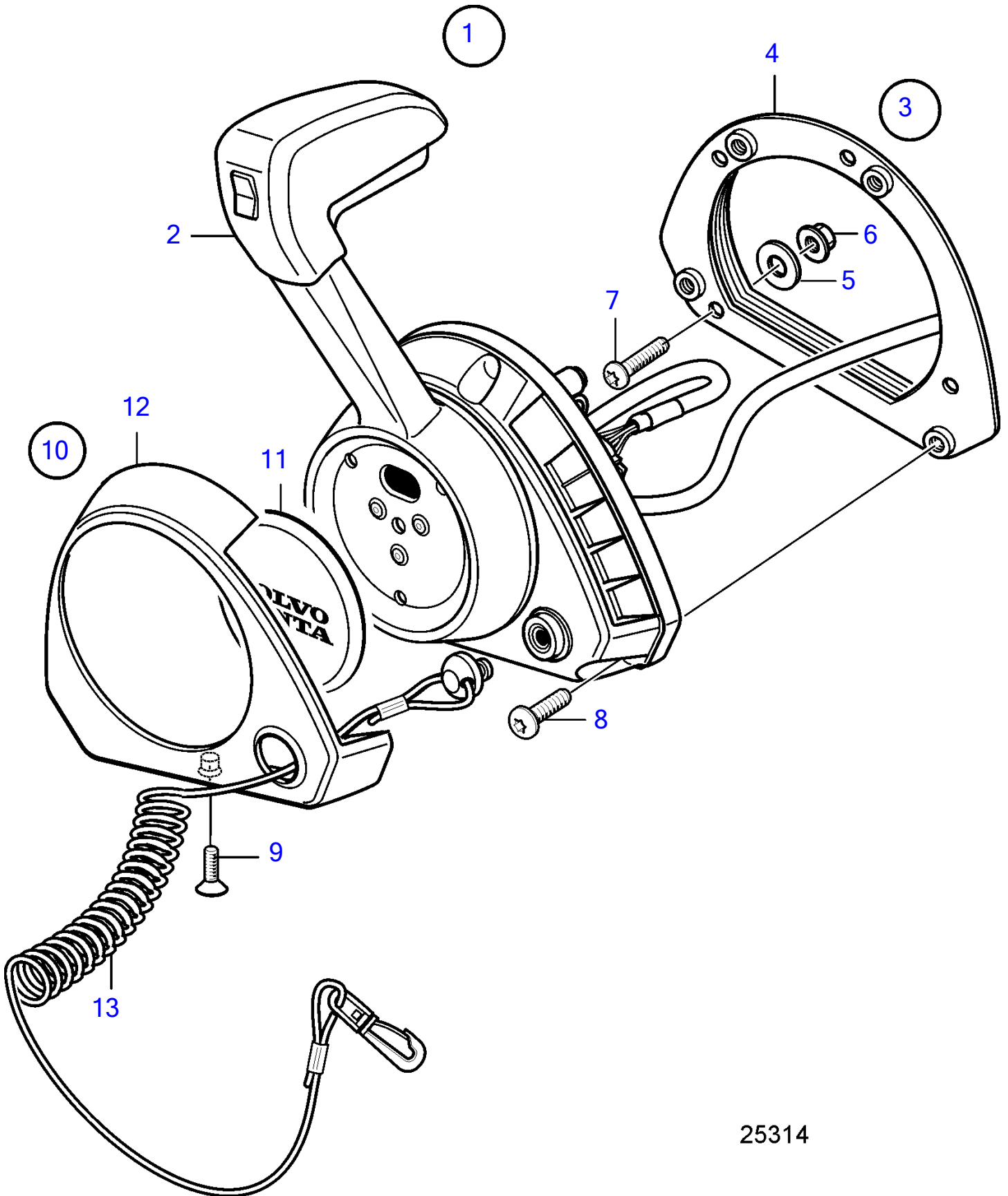


5.7GiE-300-R, 5.7GXIE-320-R



25314

## 5.7GiE-300-R, 5.7GXIE-320-R

REF	PART NO.	QTY	DESCRIPTION	NOTES
1	21462015	1	Control lever	
	3586259	1	Software	Vodia-programming. This p/n can not be ordered, but will be used for invoicing.
	3586261	1	Software	Warehouse programming. This p/n can not be ordered, but will be used for invoicing.
2		1	• Control lever	
3	21461723	1	• Installation kit	
4	(21461725)	1	• • Bracket	Obsolete part
5	940191	4	• • Washer	
6	966170	4	• • Lock nut	
7	(994914)	4	• • Hex. socket screw	Obsolete part
8	(995201)	4	• • Hex. socket screw	Obsolete part
9	(969868)	1	• • 6 point socket screw	Obsolete part
10	(21572761)	1	• Cover	Obsolete part
11			• • Cover	
12			• • Cover	
13	21552068	1	• Safety strap	