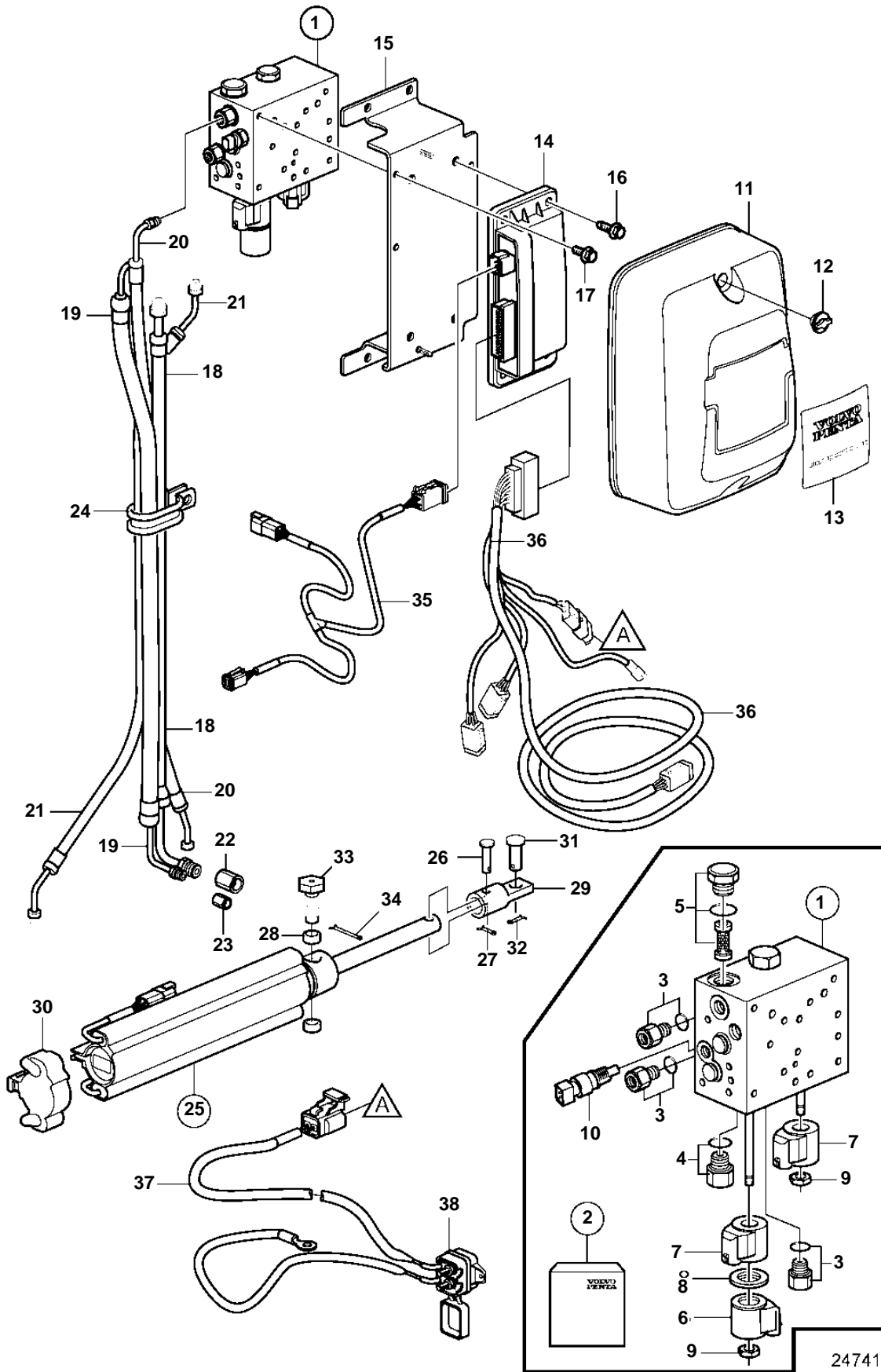


5.7GiE-300-K, 5.7GiE-300-KF, 5.7GXiE-K, 5.7GXiE-KF, 5.7GiE-300-M, 5.7GiE-300-MF, 5.7GXiE-M, 5.7GXiE-MF, 5.7GXiE-N, 5.7GiE-300-N



5.7GiE-300-K, 5.7GiE-300-KF, 5.7GXiE-K, 5.7GXiE-KF, 5.7GiE-300-M, 5.7GiE-300-MF, 5.7GXiE-M, 5.7GXiE-MF, 5.7GXiE-N, 5.7GiE-300-N

REF	PART NO.	QTY	DESCRIPTION	NOTES
1	21199262	1	Valve	
2	21298577	1	• Kit	
3	21199274	3	• • Nipple	
		3	• • • O-ring	not sold separately
4	3859043	1	• • Fitting	
	3859042	1	• • • O-ring	
5	21314058	1	• • Filter	
		1	• • • Nut	not sold separately
		1	• • • O-ring	not sold separately
6	21314061	1	• • Solenoid	
7	21314064	2	• • Solenoid	
8		1	• Washer	not sold separately
9		2	• Nut	not sold separately
10	3850397	1	• Switch, temperature	
11	21198760	1	Cover	
12	3841608	2	Nut	
13	21199454	1	Decal	
14	21187317	1	Module	SCU, replaced by next part number
	21358822	1	Module	SCU
	3809286	1	Software	Warehouse programming. This p/n can not be ordered, but will be used for invoicing.
	3809285	1	Software	Vodia-programming. This p/n can not be ordered, but will be used for invoicing.
15	21199245	1	Bracket	
16	21280607	4	Flange screw	
17	946544	3	Flange screw	
18	21199304	1	Hose, return	
19	21199310	1	Hose, pressure	
20	21199314	1	Hose, starboard	
21	21199318	1	Hose, port	
22	984379	1	Nipple	
23	984378	1	Nipple	
24		2	Clamp	
25	21243557	1	Steering cylinder	
		4	• Sensor, position	not sold separately
26		1	• Clevis pin	not sold separately
27		1	• Cotter pin	not sold separately
28		2	• Bushing	not sold separately
29		1	• Cable attachment	not sold separately
30	21277346	1	Cardboard tube	
31	21234062	1	Clevis pin	
32	967707	1	Split pin	
33	3850931	2	Screw	
34	3853376	2	Split pin	
35	3588972	1	Cable kit, T	
36	21292450	1	Wiring harness	SCU
37	21292472	1	Wiring harness	power
38		1	• Breaker, Circuit	10A, not sold separately