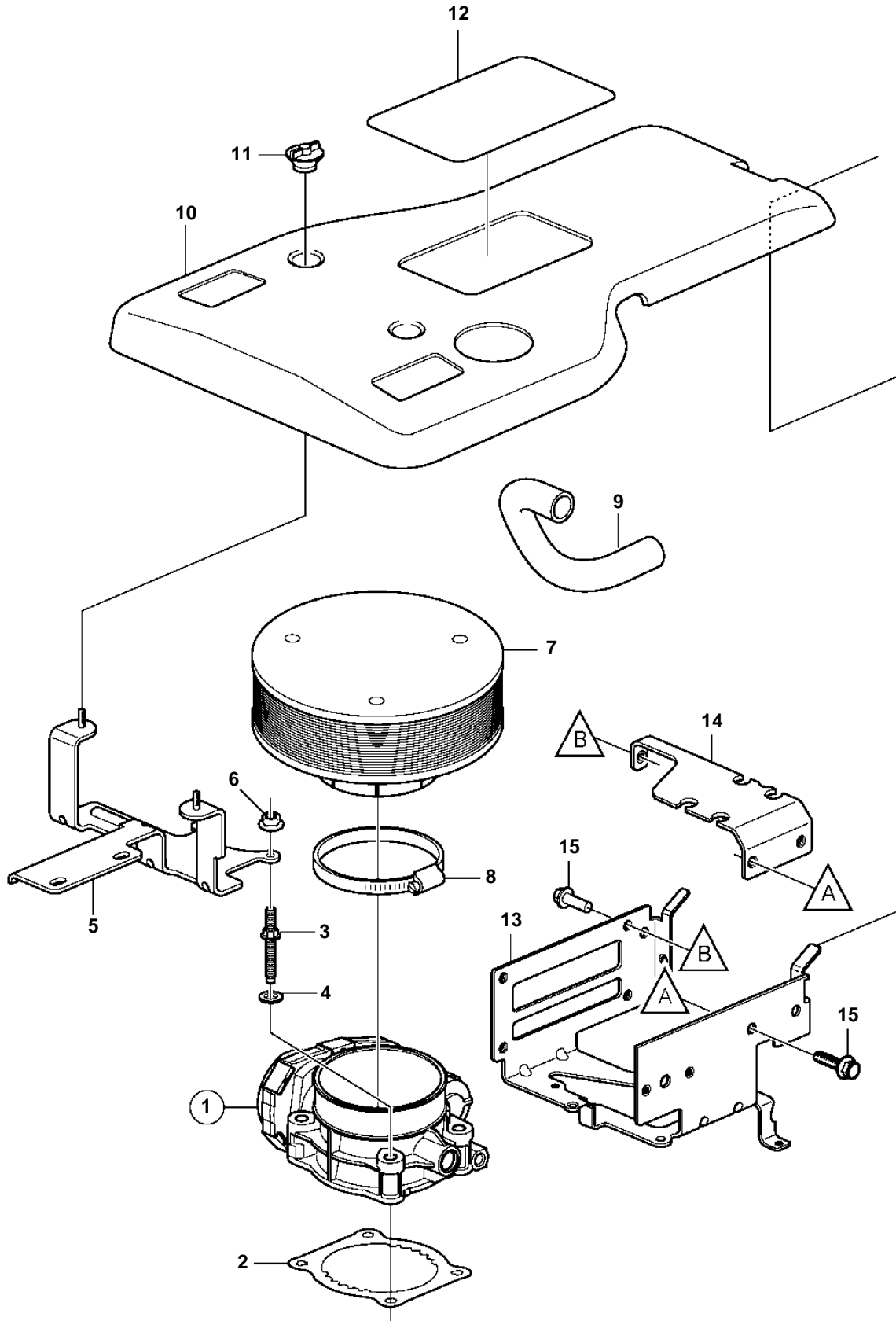


5.7GiE-300-J, 5.7GiE-300-JF, 5.7GiE-300-K, 5.7GiE-300-KF, 5.7GiE-300-M, 5.7GiE-300-MF, 5.7GiE-300-N



5.7GiE-300-J, 5.7GiE-300-JF, 5.7GiE-300-K, 5.7GiE-300-KF, 5.7GiE-300-M, 5.7GiE-300-MF, 5.7GiE-300-N

| REF | PART NO. | QTY | DESCRIPTION | NOTES |
|-----|----------|-----|-----------------------------|--|
| 1 | 21141689 | 1 | Body | |
| | | 1 | · Switch, idle validation | not sold separately |
| | | 2 | · Sensor, throttle position | not sold separately |
| 2 | 3849022 | 1 | Gasket | |
| 3 | 3858964 | 4 | Stud | |
| 4 | | 4 | · Washer | not sold separately |
| 5 | 3594456 | 1 | Bracket | see "Electronic Shift and Throttle" page |
| 6 | 981124 | 2 | Flange nut | |
| 7 | 3887565 | 1 | Flame shield | |
| 8 | 3847663 | 1 | Hose clamp | |
| 9 | | 1 | Hose | To valve cover |
| 10 | 3847650 | 1 | Cover | |
| 11 | 3841608 | 2 | Nut | |
| 12 | 40005052 | 1 | Decal | 5.7Gi 300 |
| 13 | 3595367 | 1 | Bracket | see "Electronic Shift and Throttle" page |
| 14 | 3595369 | 1 | Bracket | |
| 15 | 3852006 | 3 | Screw | |