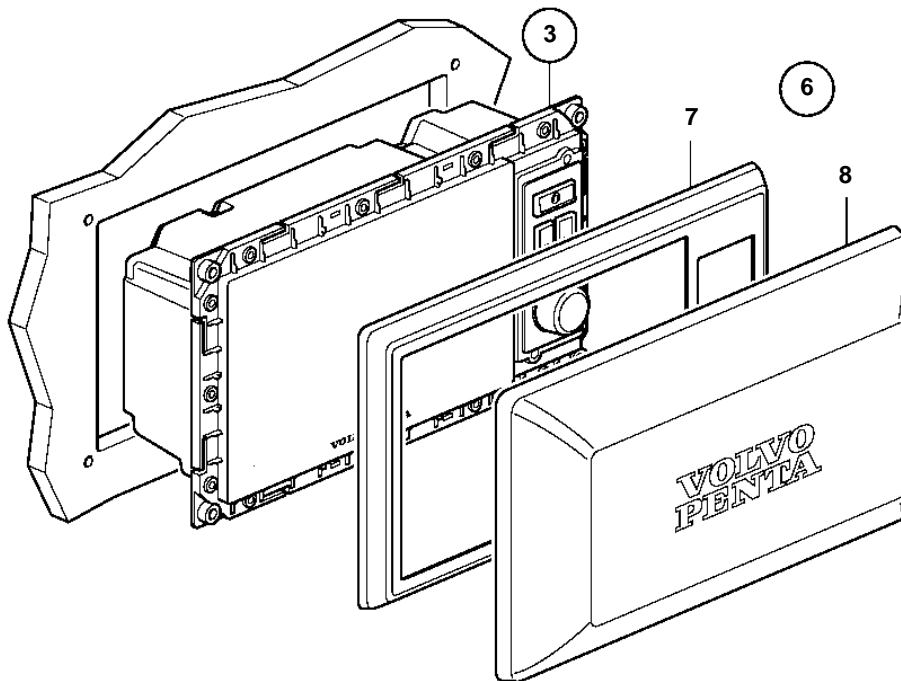
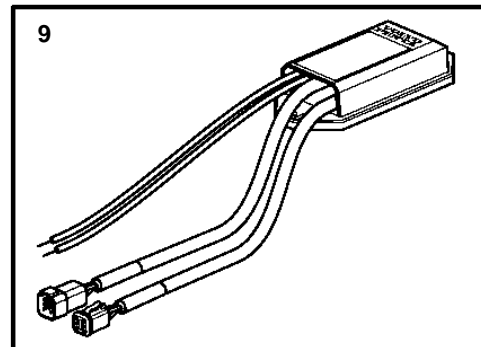
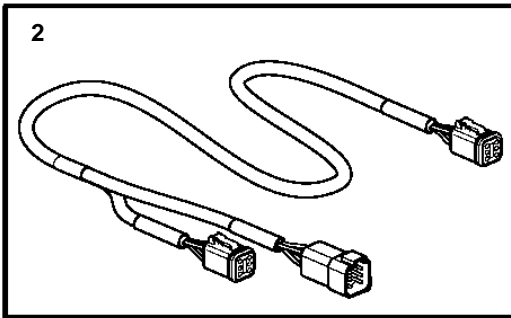
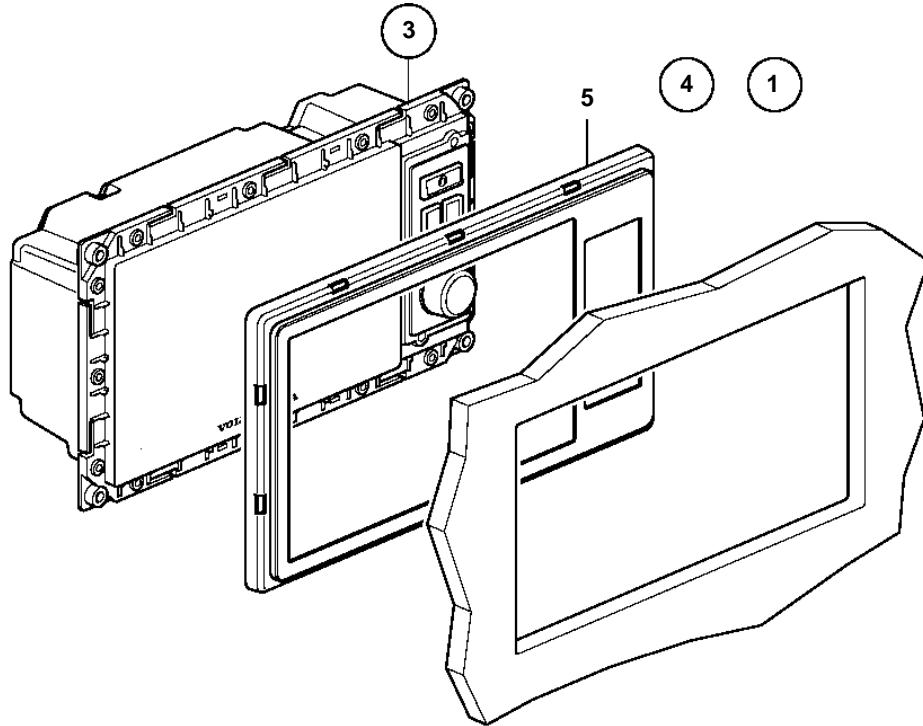


5.7GiE-300-M, 5.7GiE-300-MF, 5.7GXiE-M, 5.7GXiE-MF, 5.7GXiE-N, 5.7GiE-300-N



24868

5.7GiE-300-M, 5.7GiE-300-MF, 5.7GXiE-M, 5.7GXiE-MF, 5.7GXiE-N, 5.7GiE-300-N

REF	PART NO.	QTY	DESCRIPTION	NOTES
1	21330284	1	Kit	
2	21143555	1	· Cable	
3		1	· Kit	
4	21330288	1	· Kit	For flush mounting.
5		1	· · Frame	
6	21330289	1	· Kit	For top mounting
7		1	· · Frame	
8	21144292	1	· · Cover	
9	21379779	1	· Network adapter	12V