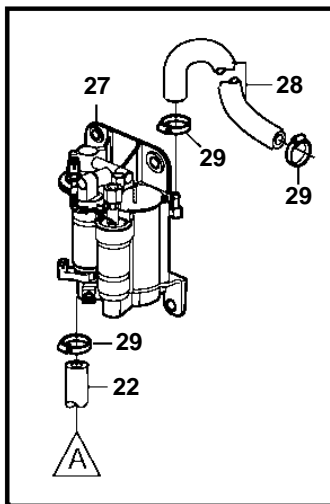
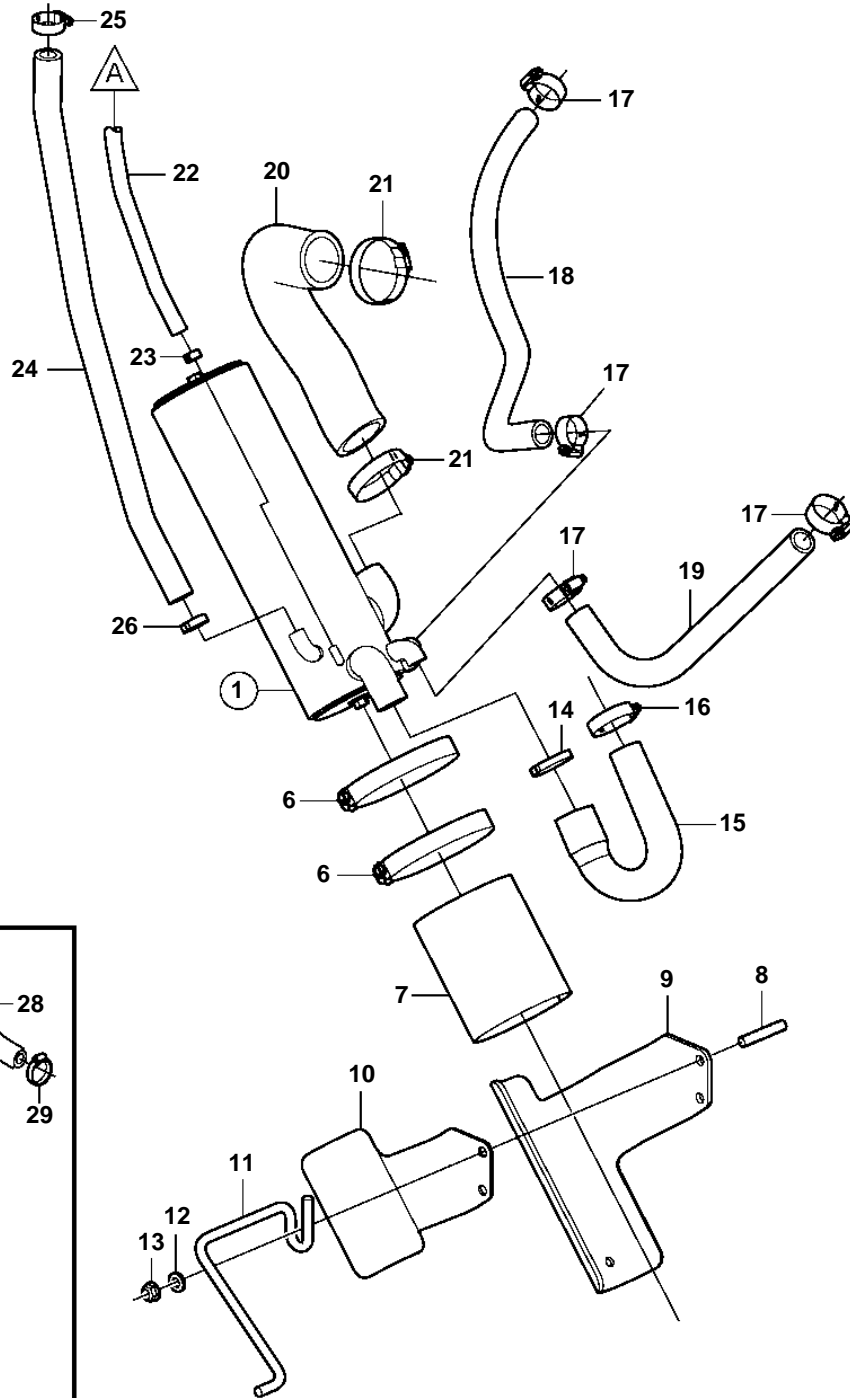
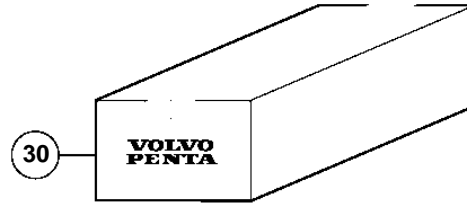
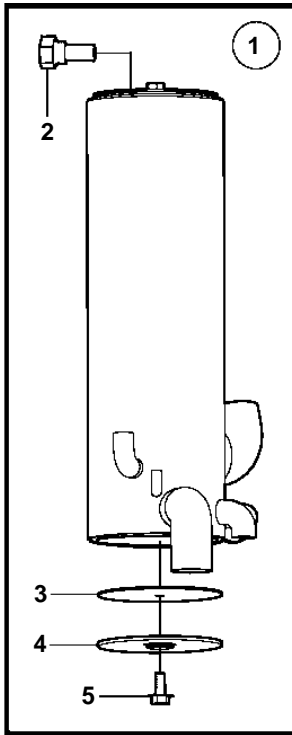


5.7GiE-300-JF, 5.7GXiE-JF, 5.7OSiE-300-JF, 5.7OSXiE-JF, 5.7GiE-300-KF, 5.7GXiE-KF, 5.7GiE-300-MF, 5.7GXiE-MF, 5.7GXiE-N, 5.7GiE-300-N



5.7GiE-300-JF, 5.7GXiE-JF, 5.7OSiE-300-JF, 5.7OSXiE-JF, 5.7GiE-300-KF, 5.7GXiE-KF, 5.7GiE-300-MF, 5.7GXiE-MF, 5.7GXiE-N, 5.7GiE-300-N

| REF | PART NO. | QTY | DESCRIPTION | SEE SEC. | NOTES |
|-----|----------|-----|---------------------|-------------|----------------------------------|
| 1 | 3861471 | 1 | Heat exchanger | | |
| 2 | 3858995 | 1 | · Anode | | |
| 3 | 3858993 | 2 | · Gasket | | |
| 4 | 3858992 | 2 | · Cover | | |
| 5 | 3858994 | 2 | · Screw | | |
| 6 | 3863443 | 2 | Hose clamp | | |
| 7 | 3861453 | 1 | Gasket | | |
| 8 | 941814 | 2 | Stud | | |
| 9 | 3595468 | 1 | Bracket | | |
| 10 | 3595466 | 1 | Bracket | | |
| 11 | 3817688 | 1 | Bracket | | |
| 12 | 980933 | 2 | Washer | | |
| 13 | 3857181 | 2 | Flange lock nut | | |
| 14 | 982717 | 1 | Clamp | | |
| 15 | 3817818 | 1 | Hose | | |
| 16 | 3863440 | 1 | Hose clamp | | |
| 17 | 3812303 | 4 | Hose clamp | | |
| 18 | 3860588 | 1 | Hose | | Starboard exhaust manifold |
| 19 | 3594640 | 1 | Hose | | Port exhaust manifold |
| 20 | 3861472 | 1 | Hose | | |
| 21 | 3863438 | 2 | Hose clamp | | |
| 22 | 3860590 | 1 | Hose | | Fuel pump |
| 23 | 982643 | 1 | Clamp | | |
| 24 | 3861485 | 1 | Hose | | Expansion tank |
| 25 | 3812303 | 1 | Hose clamp | | |
| 26 | 982967 | 1 | Clamp | | |
| 27 | | 1 | Fuel pump | | See "Fuel System" section |
| 28 | 3862550 | 1 | Hose | | |
| 29 | 3860413 | 3 | Hose clamp | | |
| 30 | 40005446 | 1 | Fresh water cooling | | |
| | | | · Bulletin P-26-1-3 | P-26-1-3-EN | Freshwater Cooling, 4.3/5.0/5.7L |